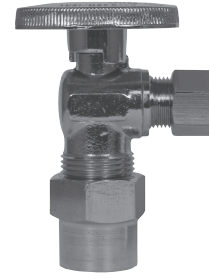
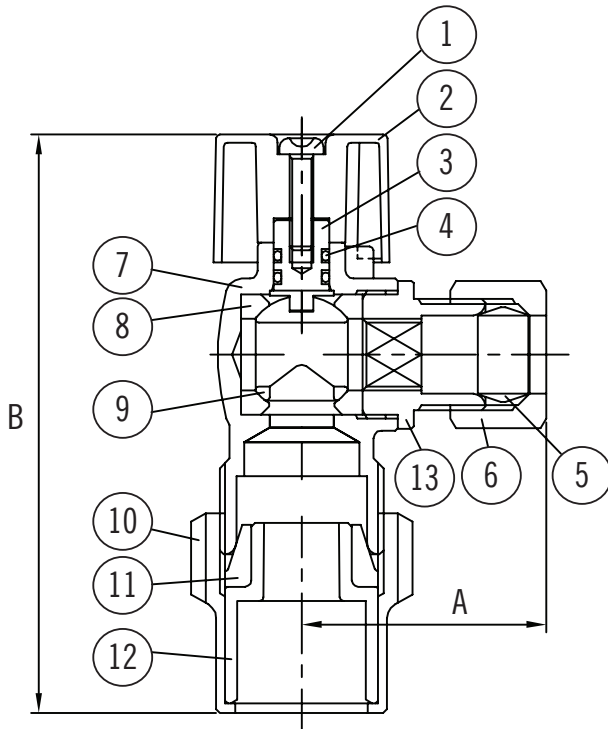


SUBMITTAL DATA SHEET

No-Lead
 Icemaker Quarter Turn Supply Stops – 72082VI
 CPVC x Compression



A.Y. McDonald Mfg. Co. No-Lead Quarter Turn Supply Stops are compact, so they are easy to use in tight spaces. The ball valve design allows for ease of operation and positive shutoff, and is ideal for residential and commercial applications. They are designed to shut off the flow of water, without having to turn off the water to the entire house.



Dimensions

Part No.	Model No.	Size	A	B
5421-294	72082VI	1/2" x 1/4"	1.22"	2.83"

Materials

No.	Part	Material
1	Handle Screw	Carbon Steel
2	Handle	Aluminum
3	Stem	No-Lead Brass
4	O-Ring	NBR
5	Compression Ring	Copper
6	Compression Nut	Brass
7	Body	No-Lead Brass
8	Ball Disc Packing	EPDM
9	Ball Disc	No-Lead Brass
10	CPVC Compression Nut	Brass
11	CPVC Compression Ring	NBR
12	CPVC Fittings	CPVC
13	End Plug	No-Lead Brass

SUBMITTAL INFORMATION

- Handle removes easily to help protect against accidental operation, during rough-ins
- Chrome plated body
- NSF/ANSI 61-8 & NSF/ANSI 372

NO-LEAD: The weighted average of the wetted surface of this no-lead product contacted by consumable water contains less than one quarter of one percent (0.25%) lead.



A.Y. McDonald Mfg. Co.
 4800 Chavenelle Rd
 Dubuque, IA 52002

Toll Free: 1-800-292-2737
 sales@aymcdonald.com
 aymcdonald.com

A.Y. McDonald considers the information on this assembly drawing correct when published. Item and option availability, including specifications, are subject to change without notice.

Submitted by: