

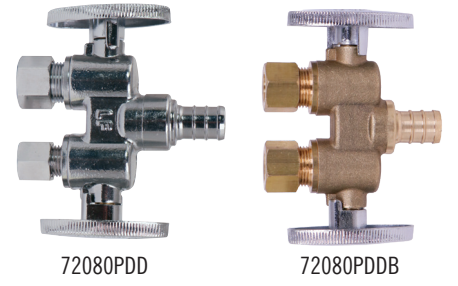
SUBMITTAL DATA SHEET

No-Lead Dual Outlet, Dual Handle Straight Supply Stop

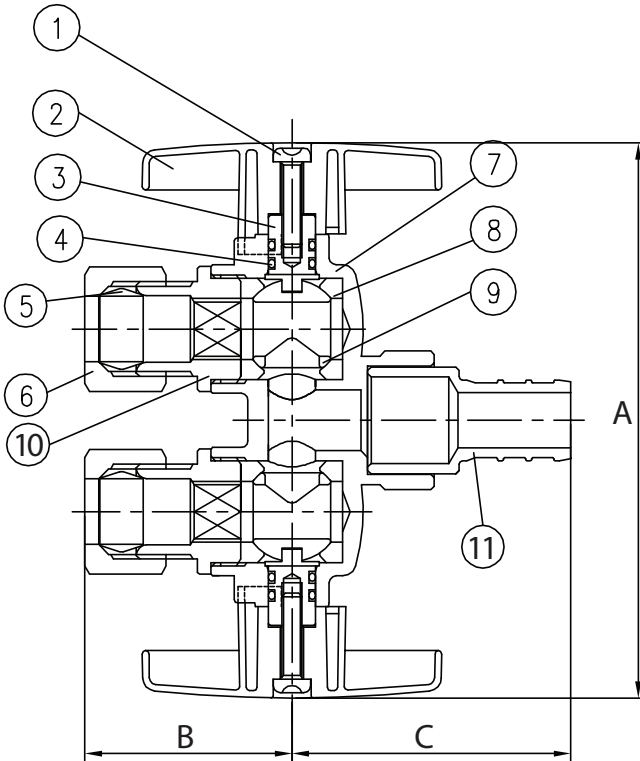
72080PDD - Chrome Finish

72080PDDB - Rough Brass

Pex x Comp x Comp



A.Y. McDonald Mfg. Co. No-Lead Quarter Turn Supply Stops are fully certified to all applicable standards. The Ball Valve design allows for ease of operation and positive shut-off and is ideal for residential and commercial applications. Each valve is constructed of heavy duty chrome plated brass.



Materials

| No. | Part | Material |
|-----|-------------------|------------------------|
| 1 | Handle Screw | Steel |
| 2 | Handle | Steel |
| 3 | Stem | No-Lead Brass (C46400) |
| 4 | O-ring | NBR |
| 5 | Compression Ring | Brass |
| 6 | Compression Nut | Brass |
| 7 | Body | No-Lead Brass (C46400) |
| 8 | Ball Disc Packing | Rubber |
| 9 | Ball Disc | No-Lead Brass (C46400) |
| 10 | End Plug | No-Lead Brass (C46400) |
| 11 | F1807 Pex Fitting | No-Lead Brass (C46400) |

Dimensions

| Size | A | B | C |
|--------------------|-------|-------|-------|
| 1/2" x 3/8" x 3/8" | 3.23" | 1.22" | 1.69" |
| 1/2" x 3/8" x 1/4" | 3.23" | 1.10" | 1.69" |

SUBMITTAL INFORMATION

- 1/2" Nom. Compression x 3/8" OD Compression x 3/8" OD Compression
- 1/2" Nom. Compression x 3/8" OD Compression x 1/4" OD Compression
- Pex End Conforms to ASTM F1807
- Brass stem is assembled from the inside out with two O-rings to ensure safe, reliable performance
- Easy-to-remove handle with screw attachment helps protect against accidental stop operation during rough-ins



NSF/ANSI/CAN 61/372 Q≤ 0.5

NO-LEAD: The weighted average of the wetted surface of this no-lead product contacted by consumable water contains less than one quarter of one percent (0.25%) lead.



A.Y. McDonald Mfg. Co.
4800 Chavenelle Rd
Dubuque, IA 52002

Toll Free: 1-800-292-2737
sales@aymcdonald.com
aymcdonald.com

A.Y. McDonald considers the information on this assembly drawing correct when published. Item and option availability, including specifications, are subject to change without notice.

Submitted by: