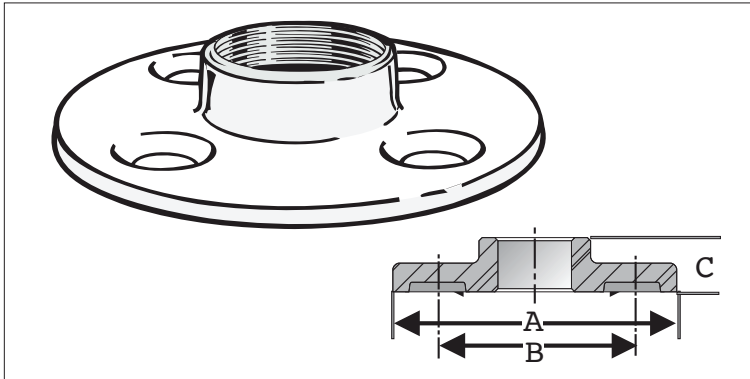


SUBMITTAL DATA SHEET

No-Lead
Standard Threaded Flange - 72215



A.Y. McDonald Mfg. Co. No-Lead Pipe Fittings are constructed from heavy duty bronze and are rated for commercial, industrial and residential applications up to 125 WOG. Threads conform to ANSI B1.20.1 and fitting dimensions comply with ANSI B16.15.



Dimensions

Part No.	Model No.	Size	A	B	C
5422-246	72215	3/4"	3.88	2.76	0.62
5422-247	72215	1"	4.25	3.13	0.69
5422-248	72215	1 1/4"	4.63	3.54	0.81
5422-249	72215	1 1/2"	5.04	3.88	0.88
5422-250	72215	2"	5.94	4.74	1.00
5422-251	72215	2 1/2"	7.07	5.51	1.12
5422-252	72215	3"	7.56	6.00	1.19
5422-253	72215	4"	9.09	7.50	1.31



SUBMITTAL INFORMATION

- Sizes Available: 3/4" - 4"
- (4) bolt holes, except for the 4" which has (8)
- **Materials**
C89833, AWWA C800, ASTM B584
- **Fitting Dimensions**
ANSI B16.15, Class 125
- **Union Dimensions**
WWW-U-516-B
- **Threads**
ANSI/ASME B1.20.1

NO-LEAD: The weighted average of the wetted surface of this no-lead product contacted by consumable water contains less than one quarter of one percent (0.25%) lead.



A.Y. McDonald Mfg. Co.
4800 Chavenelle Rd
Dubuque, IA 52002

Toll Free: 1-800-292-2737
sales@aymcdonald.com
aymcdonald.com

A.Y. McDonald considers the information on this assembly drawing correct when published. Item and option availability, including specifications, are subject to change without notice.

Submitted by: