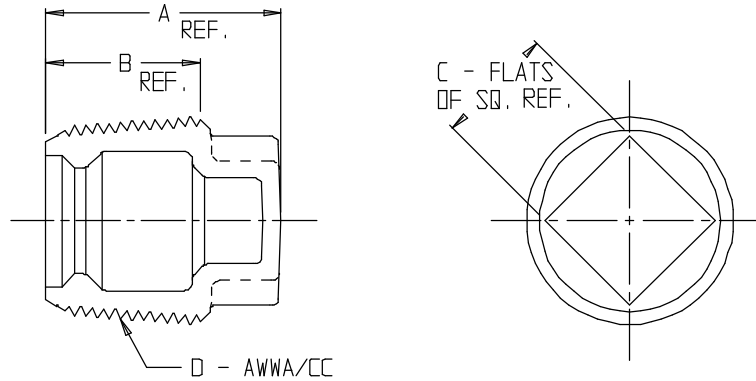


SUBMITTAL DATA SHEET

NL Service Fitting – 73206

AWWA/CC



MODEL	SIZE	A	B	C	D
73206	1/2	1.40	1.03	.56	1/2 - 14
73206	5/8	1.62	1.08	.63	5/8 - 14
73206	3/4	1.62	1.02	.63	3/4 - 14
73206	1	1.69	1.11	.86	1 - 12
73206	1 1/4	1.94	1.36	.94	1 1/4 - 11 1/2
73206	1 1/2	2.00	1.50	1.06	1 1/2 - 11 1/2
73206	2	2.00	1.50	1.13	2 - 11 1/2

SUBMITTAL INFORMATION

- Manufactured in compliance with ANSI/AWWA C800 (latest revision)
- Brass components in contact with potable water conform to ASTM B584, UNS C89833 (latest revision) and identified with “NL”
- Certified to NSF/ANSI 61 and NSF/ANSI 372
- Brass components not in contact with potable water conform to ASTM B62 and ASTM B584, UNS C83600 -85-5-5-5 (latest revision)
- Large wrench flats provided for proper installation



A.Y. McDonald Mfg. Co.
4800 Chavenelle Rd
Dubuque, IA 52002

Toll Free: 1-800-292-2737
sales@aymcdonald.com
aymcdonald.com

A.Y. McDonald considers the information on this assembly drawing correct when published. Item and option availability, including specifications, are subject to change without notice.

Submitted by: