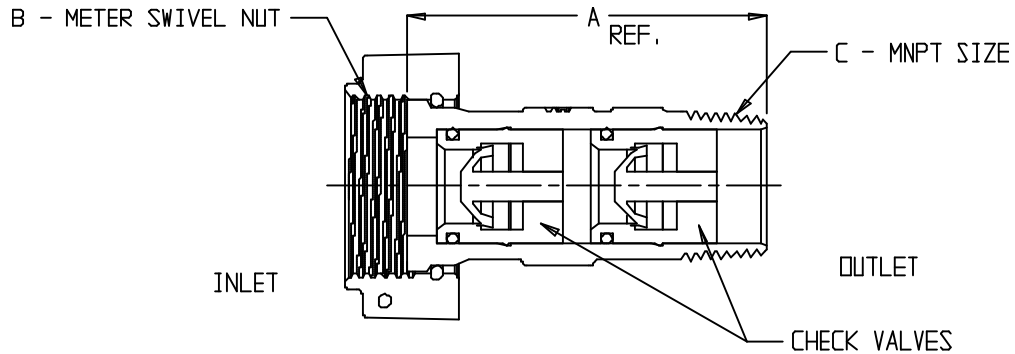


SUBMITTAL DATA SHEET



NL Meter Coupling – 746202

Meter Swivel Nut With Wire Seal Hole x MNPT



MODEL	SIZE	A	B	C
746202	5/8 X 1/2 X 2.38	2.38	5/8	1/2
746202	3/4 X 3/4 X 2.50	2.50	5/8 X 3/4, 3/4	3/4
746202	1 X 1 X 2.63	2.63	1	1

SUBMITTAL INFORMATION

- Manufactured in compliance with ANSI/AWWA C800 (latest revision)
- Brass components in contact with potable water conform to ASTM B584, UNS C89833 (latest revision) and identified with “NL”
- Certified to NSF/ANSI 61 and NSF/ANSI 372
- Brass components not in contact with potable water conform to ASTM B62 and ASTM B584, UNS C83600 -85-5-5-5 (latest revision)
- Large wrench area provided for proper installation
- Rated for 150 PSIG water pressure



A.Y. McDonald Mfg. Co.
4800 Chavenelle Rd
Dubuque, IA 52002

Toll Free: 1-800-292-2737
sales@aymcdonald.com
aymcdonald.com

A.Y. McDonald considers the information on this assembly drawing correct when published. Item and option availability, including specifications, are subject to change without notice.

Submitted by: