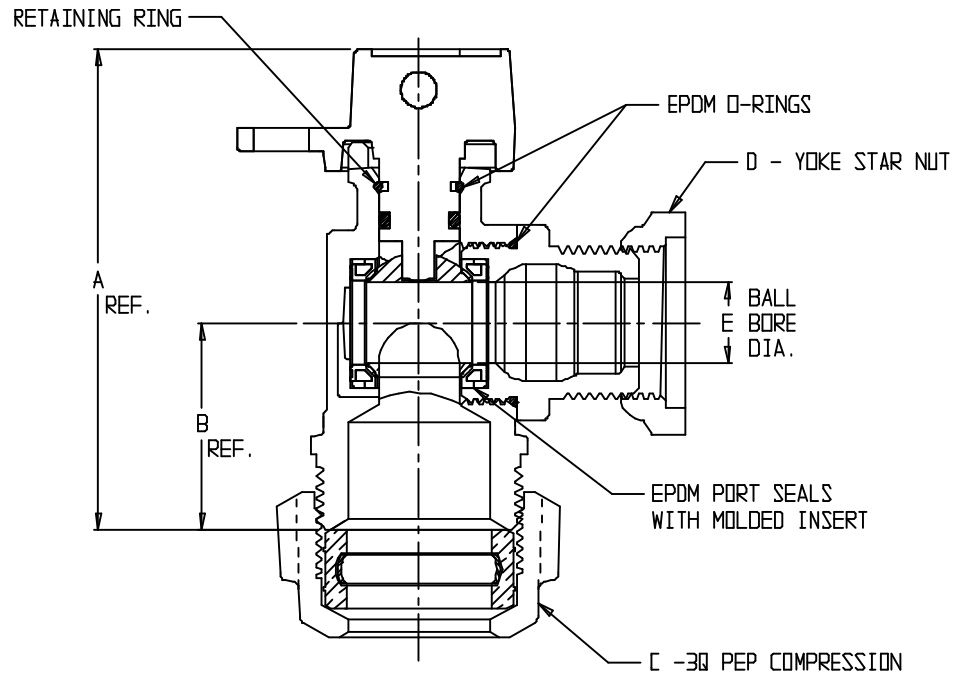


SUBMITTAL DATA SHEET

NL Ball Style Meter Stop – 74642BY-3Q

-3Q PEP Compression x Yoke Star Nut



MODEL	SIZE	A	B	C	D	E
74642BY-3Q	3/4 X 5/8 X 01	3.72	1.60	3/4	5/8	.62
74642BY-3Q	3/4 X 5/8 X 02	3.72	1.60	3/4	5/8 X 3/4 OR 3/4	.62
74642BY-3Q	1 X 3/4 X 04	4.97	2.55	1	1	.75

SUBMITTAL INFORMATION

- Manufactured in compliance with ANSI/AWWA C800 (latest revision)
- Brass components in contact with potable water conform to ASTM B584, UNS C89833 (latest revision) and identified with “NL”
- Certified to NSF/ANSI 61 and NSF/ANSI 372
- Brass components not in contact with potable water conform to ASTM B62 and ASTM B584, UNS C83600 -85-5-5-5 (latest revision)
- PTFE coated brass ball
- Valve rated for 300 PSIG water pressure, end connections not to exceed rated pipe pressures.
- Blow out proof EPDM port seals
- End piece joint sealed with an EPDM o-ring and thread locker
- Insert stiffeners required on all flexible plastic connections



A.Y. McDonald Mfg. Co.
4800 Chavenelle Rd
Dubuque, IA 52002

Toll Free: 1-800-292-2737
sales@aymcdonald.com
aymcdonald.com

A.Y. McDonald considers the information on this assembly drawing correct when published. Item and option availability, including specifications, are subject to change without notice.

Submitted by: