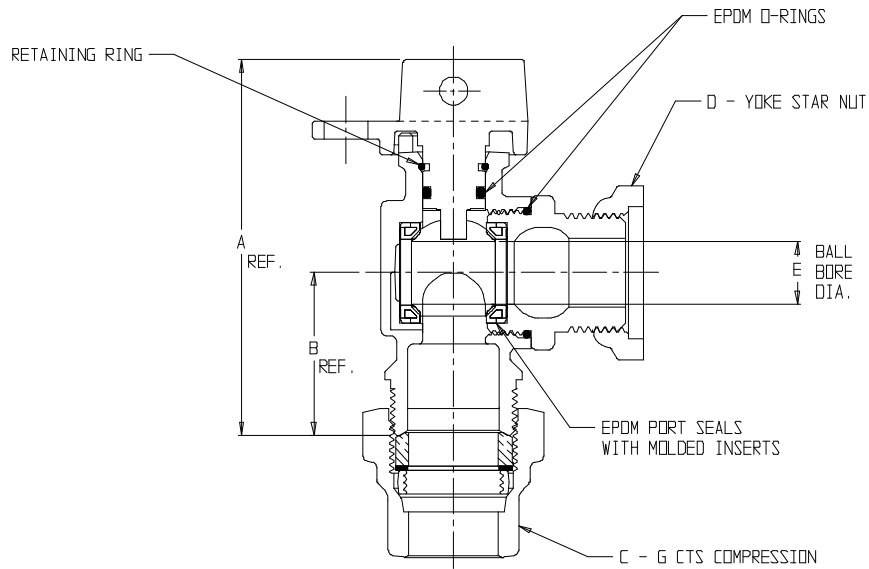


SUBMITTAL DATA SHEET

NL Ball Style Meter Stop – 74642BYG

G CTS Compression x Yoke Star Nut



| MODEL | SIZE | A | B | C | D | E |
|----------|----------------|------|------|-----|------------------|-----|
| 74642BYG | 3/4 X 5/8 X 01 | 3.74 | 1.62 | 3/4 | 5/8 | .62 |
| 74642BYG | 1 X 5/8 X 01 | 3.72 | 1.60 | 1 | 5/8 | .62 |
| 74642BYG | 3/4 X 5/8 X 02 | 3.74 | 1.62 | 3/4 | 5/8 X 3/4 OR 3/4 | .62 |
| 74642BYG | 1 X 5/8 X 02 | 3.72 | 1.60 | 1 | 5/8 X 3/4 OR 3/4 | .62 |
| 74642BYG | 1 X 3/4 X 04 | 4.63 | 2.21 | 1 | 1 | .75 |

SUBMITTAL INFORMATION

- Manufactured in compliance with ANSI/AWWA C800 (latest revision)
- Brass components in contact with potable water conform to ASTM B584, UNS C89833 (latest revision) and identified with "NL"
- Certified to NSF/ANSI 61 and NSF/ANSI 372
- Brass components not in contact with potable water conform to ASTM B62 and ASTM B584, UNS C83600 -85-5-5-5 (latest revision)
- PTFE coated brass ball
- Valve rated for 300 PSIG water pressure, end connections not to exceed rated pipe pressures.
- Blow out proof EPDM port seals
- End piece joint sealed with an EPDM o-ring and thread locker
- Insert stiffeners required on all flexible plastic connections



A.Y. McDonald Mfg. Co.
4800 Chavenelle Rd
Dubuque, IA 52002

Toll Free: 1-800-292-2737
sales@aymcdonald.com
aymcdonald.com

A.Y. McDonald considers the information on this assembly drawing correct when published. Item and option availability, including specifications, are subject to change without notice.

Submitted by: