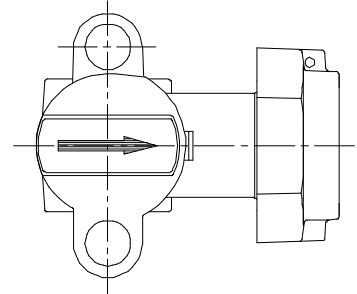


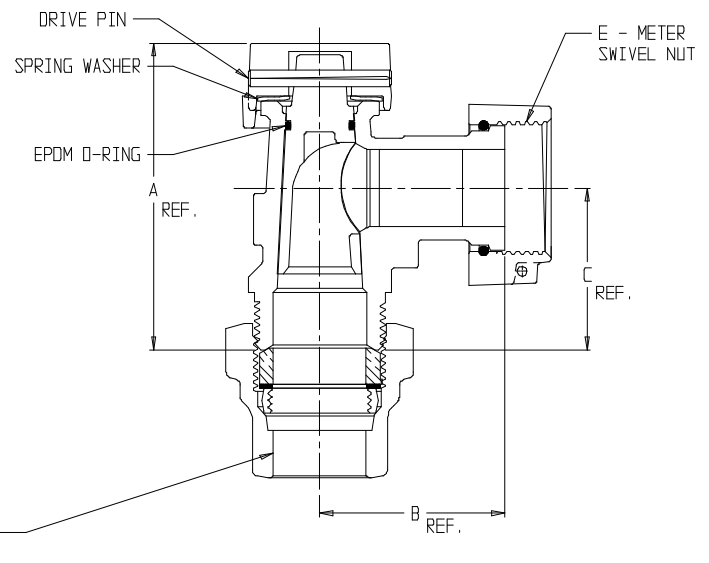
SUBMITTAL DATA SHEET

NL Angle Plug Style Meter Stop – 74602G

G CTS Compression x Meter Swivel Nut



MODEL	SIZE	A	B	C	D	E
74602G	3/4 X 5/8	2.95	1.78	1.58	3/4	5/8
74602G	1 X 5/8	3.21	1.78	1.81	1	5/8
74602G	3/4	2.95	1.78	1.58	3/4	5/8 X 3/4, 3/4
74602G	1 X 3/4	3.21	1.78	1.81	1	5/8 X 3/4, 3/4
74602G	1	3.64	1.94	1.98	1	1



SUBMITTAL INFORMATION

- Manufactured in compliance with ANSI/AWWA C800 (latest revision)
- Brass components in contact with potable water conform to ASTM B584, UNS C89833 (latest revision) and identified with “NL”
- Certified to NSF/ANSI 61 and NSF/ANSI 372
- Brass components not in contact with potable water conform to ASTM B62 and ASTM B584, UNS C83600 -85-5-5-5 (latest revision)
- Large wrench flats provided for proper installation
- Rated for 100 PSIG water pressure
- Insert stiffeners required on all flexible plastic connections



A.Y. McDonald Mfg. Co.
4800 Chavenelle Rd
Dubuque, IA 52002

Toll Free: 1-800-292-2737
sales@aymcdonald.com
aymcdonald.com

A.Y. McDonald considers the information on this assembly drawing correct when published. Item and option availability, including specifications, are subject to change without notice.

Submitted by: