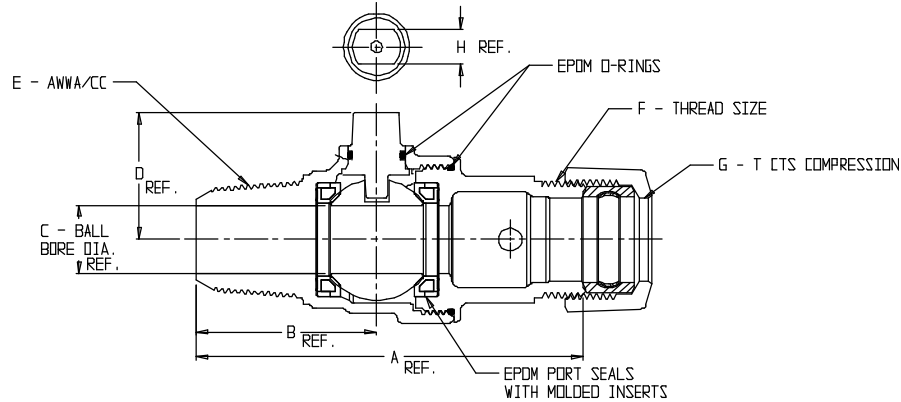


# SUBMITTAL DATA SHEET

NL Ball Style Corporation Stop – 74701BT

AWWA/CC x T CTS Compression



MODEL NO.	SIZE	A	B	C	D	E	F	G	H
74701BT	3/4	4.22	1.96	.75	1.39	3/4"	3/4 AWWA FLARE	3/4"	.38
74701BT	3/4 X 1	4.44	1.96	.75	1.39	3/4"	1 AWWA FLARE	1"	.38
74701BT	1	4.37	2.11	1.00	1.50	1"	1 AWWA FLARE	1"	.28
74701BT	1 X 1 1/4	4.51	2.11	1.00	1.50	1"	1 1/4 AWWA FLARE	1 1/4"	.28
74701BT	1 1/4	6.40	3.02	1.25	1.89	1 1/4"	1 1/4 AWWA FLARE	1 1/4"	.37
74701BT	1 1/2	6.43	3.05	1.50	2.15	1 1/2"	2 1/8 - 16 SPECIAL	1 1/2"	.37
74701BT	1 1/2 X 2	6.97	3.05	1.50	2.15	1 1/2"	2 5/8 - 16 SPECIAL	2"	.37
74701BT	2	6.89	3.21	2.00	2.46	2"	2 5/8 - 16 SPECIAL	2"	.37
74701BTFT	1 1/2	6.09	3.05	1.50	2.15	1 1/2"	1 1/2 AWWA FLARE	1 1/2"	.37
74701BTFT	1 1/2 X 2	6.97	3.05	1.50	2.15	1 1/2"	2 AWWA FLARE	2"	.37
74701BTFT	2	7.56	3.21	2.00	2.46	2"	2 AWWA FLARE	2"	.37

## SUBMITTAL INFORMATION

- Manufactured in compliance with ANSI/AWWA C800 (latest revision)
- Brass components in contact with potable water conform to ASTM B584, UNS C89833 (latest revision) and identified with "NL"
- Certified to NSF/ANSI 61 and NSF/ANSI 372
- Brass components not in contact with potable water conform to ASTM B62 and ASTM B584, UNS C83600 -85-5-5-5 (latest revision)
- PTFE coated brass ball rotates 360°
- Valve rated for 300 PSIG water pressure, end connections not to exceed rated pipe pressures.
- Blow out proof EPDM port seals
- End piece joint sealed with an EPDM o-ring and thread locker
- Insert stiffeners required on all flexible plastic connections



**A.Y. McDonald Mfg. Co.**  
4800 Chavenelle Rd  
Dubuque, IA 52002

**Toll Free: 1-800-292-2737**  
sales@aymcdonald.com  
[aymcdonald.com](http://aymcdonald.com)

A.Y. McDonald considers the information on this assembly drawing correct when published. Item and option availability, including specifications, are subject to change without notice.

**Submitted by:**