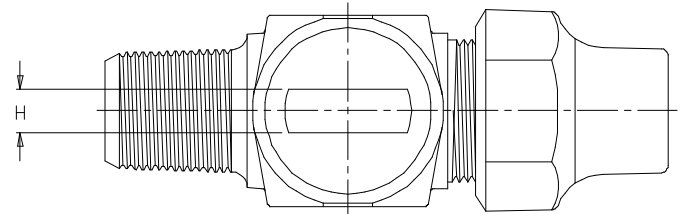
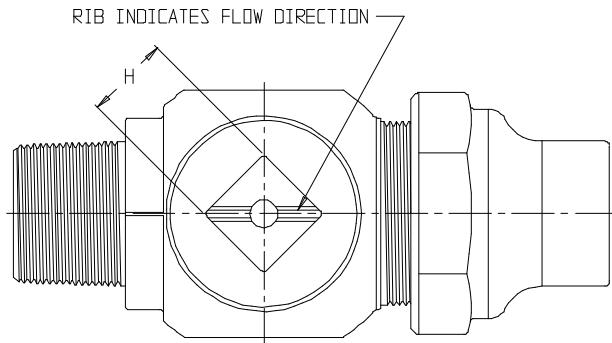


# SUBMITTAL DATA SHEET

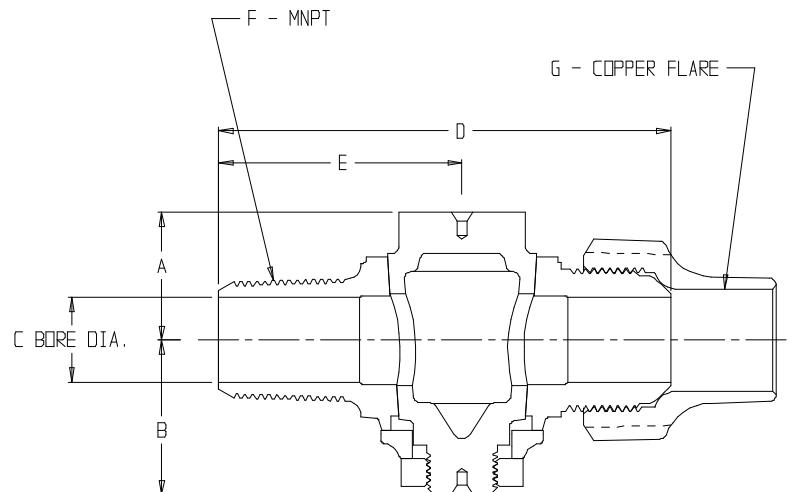
NL Plug Style Corporation Stop – 74704

MNPT x Copper Flare



\*NOTE: 1 1/2 & 2 INCH PLUGS HAVE SQUARE HEAD WRENCHING SURFACES

MODEL	SIZE	A	B	C	D	E	F	G	H
74704	1/2	1.12	1.16	.50	3.34	1.73	1/2	1/2	.34
74704	3/4	1.13	1.37	.75	4.00	2.15	3/4	3/4	.38
74704	3/4 X 1	1.13	1.37	.75	4.15	2.15	3/4	1	.38
74704	1	1.41	1.48	1.00	4.57	2.40	1	1	.38
74704	1 1/4	1.67	1.77	1.25	5.63	2.94	1 1/4	1 1/4	.44
74704	1 1/2	1.98	2.28	1.50	6.35	3.35	1 1/2	1 1/2	*1.13
74704	2	2.39	2.41	2.00	7.77	3.97	2	2	*1.25



## SUBMITTAL INFORMATION

- Manufactured in compliance with ANSI/AWWA C800 (latest revision)
- Brass components in contact with potable water conform to ASTM B584, UNS C89833 (latest revision) and identified with "NL"
- Certified to NSF/ANSI 61 and NSF/ANSI 372
- Brass components not in contact with potable water conform to ASTM B62 and ASTM B584, UNS C83600 -85-5-5-5 (latest revision)
- Large wrench flats provided for proper installation
- Plug rotates 360°
- 1/2" – 1" rated for 100 PSIG water pressure
- 1 1/4" – 2" rated for 80 PSIG water pressure



**A.Y. McDonald Mfg. Co.**  
4800 Chavenelle Rd  
Dubuque, IA 52002

**Toll Free: 1-800-292-2737**  
sales@aymcdonald.com  
[aymcdonald.com](http://aymcdonald.com)

A.Y. McDonald considers the information on this assembly drawing correct when published. Item and option availability, including specifications, are subject to change without notice.

**Submitted by:**