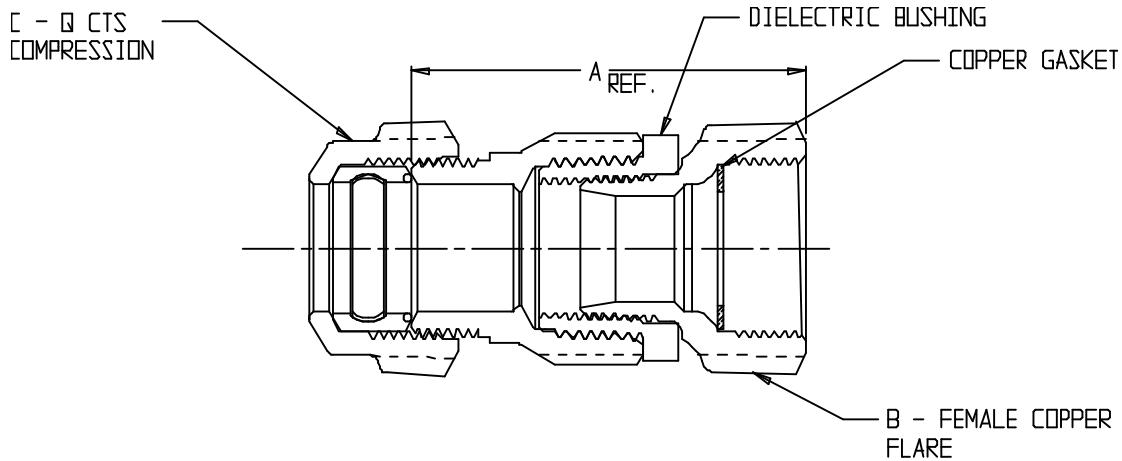


# SUBMITTAL DATA SHEET

NL Service Fitting – 74755DBQ

Q CTS Compression x Female Copper Flare



NOTE: ACTUAL LENGTHS WILL VARY DUE TO ASSEMBLY OF INSULATOR.

MODEL	SIZE	A	B	C
74755DBQ	3/4	2.80	3/4	3/4
74755DBQ	1	3.35	1	1
74755DBQ	1 1/2	5.40	1 1/2	1 1/2
74755DBQ	2	6.55	2	2

## SUBMITTAL INFORMATION

- Manufactured in compliance with ANSI/AWWA C800 (latest revision)
- Brass components in contact with potable water conform to ASTM B584, UNS C89833 (latest revision) and identified with “NL”
- Certified to NSF/ANSI 61 and NSF/ANSI 372
- Brass components not in contact with potable water conform to ASTM B62 and ASTM B584, UNS C83600 -85-5-5-5 (latest revision)
- Large wrench flats provided for proper installation
- Insert stiffeners required on all flexible plastic connections



**A.Y. McDonald Mfg. Co.**  
4800 Chavenelle Rd  
Dubuque, IA 52002

**Toll Free: 1-800-292-2737**  
sales@aymcdonald.com  
[aymcdonald.com](http://aymcdonald.com)

A.Y. McDonald considers the information on this assembly drawing correct when published. Item and option availability, including specifications, are subject to change without notice.

**Submitted by:**