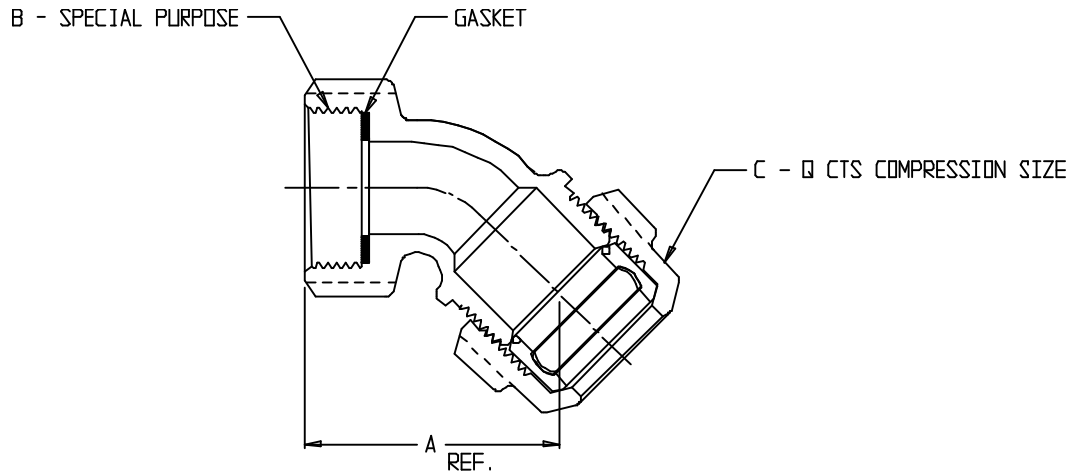


SUBMITTAL DATA SHEET



NL Service Fitting – 74749Q

Special Purpose x Q CTS Compression



MODEL	SIZE	A	B	C
74749Q	1/2 X 3/4	2.03	1/2	3/4
74749Q	5/8 X 3/4	2.03	5/8	3/4
74749Q	5/8 X 1	2.42	5/8	1
74749Q	3/4	1.98	3/4	3/4
74749Q	3/4 X 1	2.42	3/4	1
74749Q	1	2.41	1	1

SUBMITTAL INFORMATION

- Manufactured in compliance with ANSI/AWWA C800 (latest revision)
- Brass components in contact with potable water conform to ASTM B584, UNS C89833 (latest revision) and identified with “NL”
- Certified to NSF/ANSI 61 and NSF/ANSI 372
- Brass components not in contact with potable water conform to ASTM B62 and ASTM B584, UNS C83600 -85-5-5-5 (latest revision)
- Large wrench flats provided for proper installation
- Insert stiffeners required on all flexible plastic connections



A.Y. McDonald Mfg. Co.
4800 Chavenelle Rd
Dubuque, IA 52002

Toll Free: 1-800-292-2737
sales@aymcdonald.com
aymcdonald.com

A.Y. McDonald considers the information on this assembly drawing correct when published. Item and option availability, including specifications, are subject to change without notice.

Submitted by: