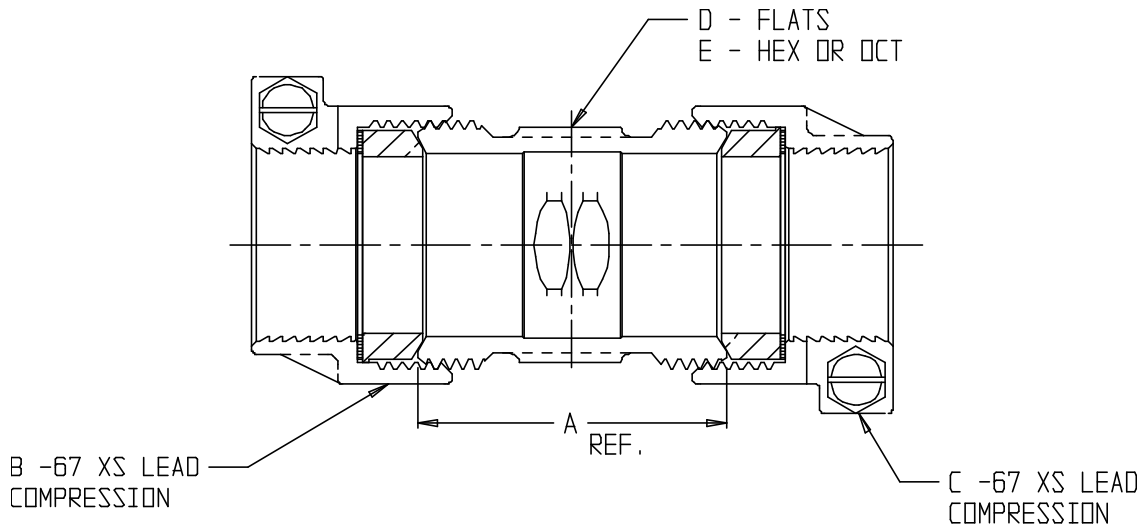


SUBMITTAL DATA SHEET

NL Service Fitting – 74758-67

-67 XS Lead Compression x -67 XS Lead Compression



MODEL	SIZE	A	B	C	D	E
74758-67	1/2	2.00	1/2	1/2	1.34	OCT
74758-67	5/8	2.40	5/8	5/8	1.38	OCT
74758-67	3/4	2.86	3/4	3/4	1.78	HEX
74758-67	1	3.09	1	1	2.38	HEX
74758-67	1 1/4	2.90	1 1/4	1 1/4	2.28	OCT

SUBMITTAL INFORMATION

- Manufactured in compliance with ANSI/AWWA C800 (latest revision)
- Brass components in contact with potable water conform to ASTM B584, UNS C89833 (latest revision) and identified with “NL”
- Certified to NSF/ANSI 61 and NSF/ANSI 372
- Brass components not in contact with potable water conform to ASTM B62 and ASTM B584, UNS C83600 -85-5-5-5 (latest revision)
- Large wrench flats provided for proper installation



A.Y. McDonald Mfg. Co.
4800 Chavenelle Rd
Dubuque, IA 52002

Toll Free: 1-800-292-2737
sales@aymcdonald.com
aymcdonald.com

A.Y. McDonald considers the information on this assembly drawing correct when published. Item and option availability, including specifications, are subject to change without notice.

Submitted by: