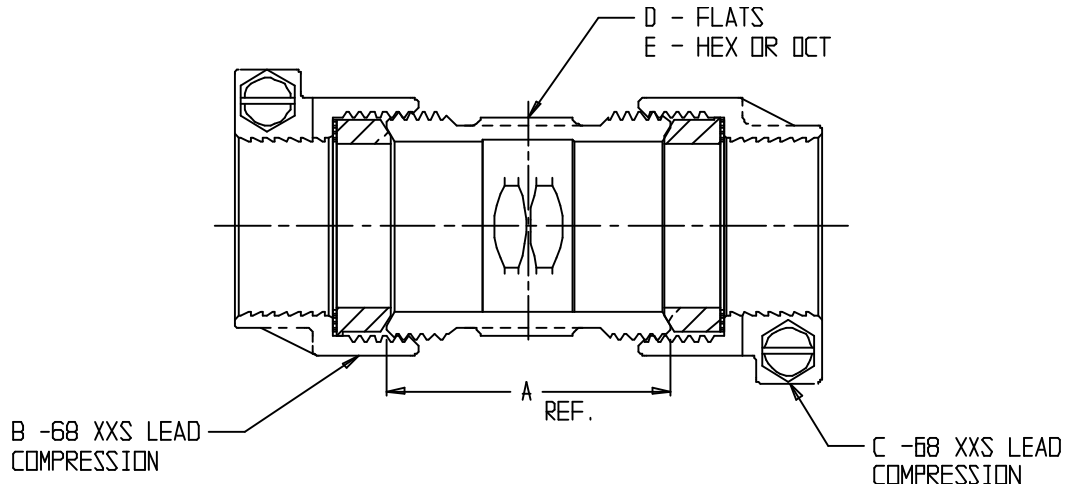


SUBMITTAL DATA SHEET

NL Service Fitting – 74758-68

-68 XXS Lead Compression x -68 XXS Lead Compression



MODEL	SIZE	A	B	C	D	E
74758-68	1/2	2.01	1/2	1/2	1.40	OCT
74758-68	5/8	1.97	5/8	5/8	1.40	OCT
74758-68	3/4	2.62	3/4	3/4	1.69	OCT

SUBMITTAL INFORMATION

- Manufactured in compliance with ANSI/AWWA C800 (latest revision)
- Brass components in contact with potable water conform to ASTM B584, UNS C89833 (latest revision) and identified with “NL”
- Certified to NSF/ANSI 61 and NSF/ANSI 372
- Brass components not in contact with potable water conform to ASTM B62 and ASTM B584, UNS C83600 -85-5-5-5 (latest revision)
- Large wrench flats provided for proper installation



A.Y. McDonald Mfg. Co.
4800 Chavenelle Rd
Dubuque, IA 52002

Toll Free: 1-800-292-2737
sales@aymcdonald.com
aymcdonald.com

A.Y. McDonald considers the information on this assembly drawing correct when published. Item and option availability, including specifications, are subject to change without notice.

Submitted by: