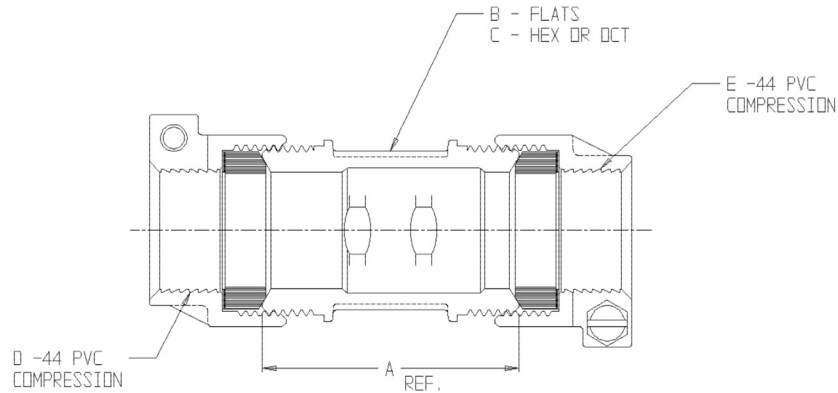
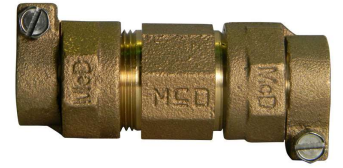


SUBMITTAL DATA SHEET

NL Service Fitting – 74758-44

-44 PVC Compression x -44 PVC Compression



MODEL	SIZE	A	B	C	D	E
74758-44	1/2	2.00	1.34	OCT	1/2	1/2
74758-44	3/4	2.40	1.38	OCT	3/4	3/4
74758-44	3/4 X 1	2.61	1.85	OCT	3/4	1
74758-44	3/4 X 2	2.96	3.05	OCT	3/4	2
74758-44	1	2.56	1.69	OCT	1	1
74758-44	1 1/4	3.40	2.00	OCT	1 1/4	1 1/4
74758-44	1 1/4 X 2	2.76	2.75	OCT	1 1/4	2
74758-44	1 1/2	2.80	2.28	OCT	1 1/2	1 1/2
74758-44	2	3.25	3.12	OCT	2	2

SUBMITTAL INFORMATION

- Manufactured in compliance with ANSI/AWWA C800 (latest revision)
- Brass components in contact with potable water conform to ASTM B584, UNS C89833 (latest revision) and identified with “NL”
- Certified to NSF/ANSI 61 and NSF/ANSI 372
- Brass components not in contact with potable water conform to ASTM B62 and ASTM B584, UNS C83600 -85-5-5-5 (latest revision)
- Large wrench flats provided for proper installation



A.Y. McDonald Mfg. Co.
4800 Chavenelle Rd
Dubuque, IA 52002

Toll Free: 1-800-292-2737
sales@aymcdonald.com
aymcdonald.com

A.Y. McDonald considers the information on this assembly drawing correct when published. Item and option availability, including specifications, are subject to change without notice.

Submitted by: