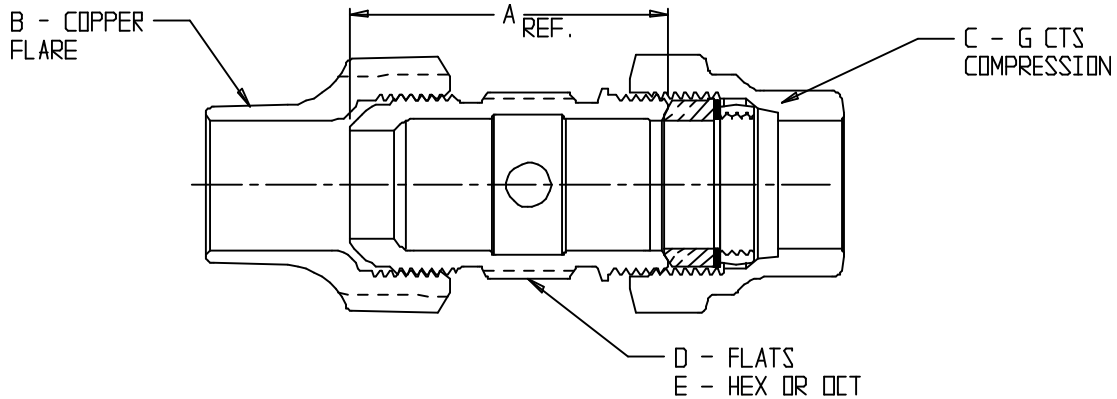


SUBMITTAL DATA SHEET



NL Service Fitting – 74758CG

Copper Flare x G CTS Compression



MODEL	SIZE	A	B	C	D	E
74758CG	3/4 X 1	2.22	3/4	1	1.34	HEX
74758CG	1	2.76	1	1	1.38	OCT
74758CG	1 X 3/4	2.50	1	3/4	1.34	HEX
74758CG	1 X 1 1/4	2.76	1	1 1/4	1.85	OCT

SUBMITTAL INFORMATION

- Manufactured in compliance with ANSI/AWWA C800 (latest revision)
- Brass components in contact with potable water conform to ASTM B584, UNS C89833 (latest revision) and identified with “NL”
- Certified to NSF/ANSI 61 and NSF/ANSI 372
- Brass components not in contact with potable water conform to ASTM B62 and ASTM B584, UNS C83600 -85-5-5-5 (latest revision)
- Large wrench flats provided for proper installation
- Insert stiffeners required on all flexible plastic connections



A.Y. McDonald Mfg. Co.
4800 Chavenelle Rd
Dubuque, IA 52002

Toll Free: 1-800-292-2737
sales@aymcdonald.com
aymcdonald.com

A.Y. McDonald considers the information on this assembly drawing correct when published. Item and option availability, including specifications, are subject to change without notice.

Submitted by: