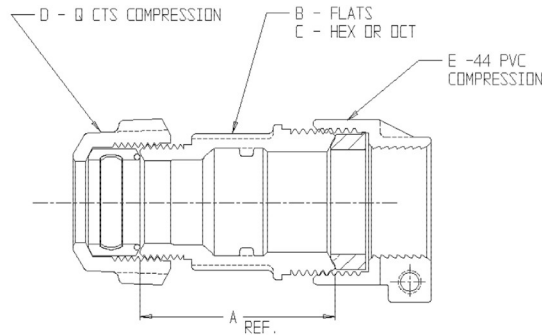
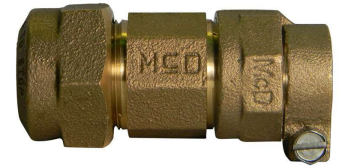


# SUBMITTAL DATA SHEET

NL Service Fitting – 74758Q-44

Q CTS Compression x -44 PVC Compression



| MODEL NO. | SIZE      | A    | B    | C   | D     | E     |
|-----------|-----------|------|------|-----|-------|-------|
| 74758Q-44 | 3/4       | 2.11 | 1.38 | OCT | 3/4   | 3/4   |
| 74758Q-44 | 3/4 X 1/2 | 2.00 | 1.34 | OCT | 3/4   | 1/2   |
| 74758Q-44 | 3/4 X 1   | 2.26 | 1.69 | HEX | 3/4   | 1     |
| 74758Q-44 | 1         | 2.61 | 1.85 | OCT | 1     | 1     |
| 74758Q-44 | 1 X 3/4   | 2.40 | 1.38 | OCT | 1     | 3/4   |
| 74758Q-44 | 1 X 1 1/4 | 2.60 | 2.10 | OCT | 1     | 1 1/4 |
| 74758Q-44 | 1 X 1 1/2 | 2.60 | 2.20 | OCT | 1     | 1 1/2 |
| 74758Q-44 | 1 X 2     | 2.96 | 3.05 | OCT | 1     | 2     |
| 74758Q-44 | 1 1/4     | 2.61 | 1.69 | OCT | 1 1/4 | 1 1/4 |
| 74758Q-44 | 1 1/2     | 2.80 | 2.24 | OCT | 1 1/2 | 1 1/2 |
| 74758Q-44 | 1 1/2 X 2 | 2.76 | 2.75 | OCT | 1 1/2 | 2     |
| 74758Q-44 | 2         | 3.47 | 3.29 | HEX | 2     | 2     |

## SUBMITTAL INFORMATION

- Manufactured in compliance with ANSI/AWWA C800 (latest revision)
- Brass components in contact with potable water conform to ASTM B584, UNS C89833 (latest revision) and identified with “NL”
- Certified to NSF/ANSI 61 and NSF/ANSI 372
- Brass components not in contact with potable water conform to ASTM B62 and ASTM B584, UNS C83600 -85-5-5-5 (latest revision)
- Large wrench flats provided for proper installation
- Insert stiffeners required on all flexible plastic connections



**A.Y. McDonald Mfg. Co.**  
4800 Chavenelle Rd  
Dubuque, IA 52002

**Toll Free: 1-800-292-2737**  
sales@aymcdonald.com  
[aymcdonald.com](http://aymcdonald.com)

A.Y. McDonald considers the information on this assembly drawing correct when published. Item and option availability, including specifications, are subject to change without notice.

**Submitted by:**