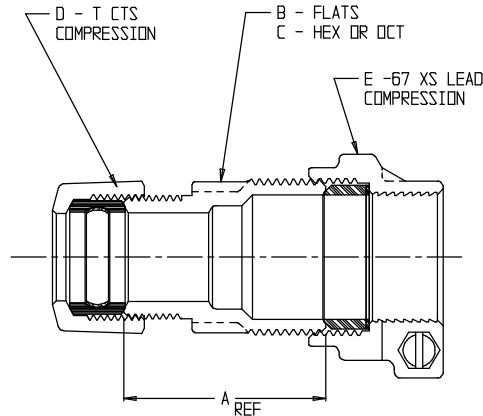


# SUBMITTAL DATA SHEET

NL Service Fitting – 74758T-67

T CTS Compression x -67 XS Lead Compression



| MODEL NO. | SIZE          | A    | B    | C   | D     | E     |
|-----------|---------------|------|------|-----|-------|-------|
| 74758T-67 | 3/4           | 2.07 | 1.34 | HEX | 3/4   | 3/4   |
| 74758T-67 | 3/4 X 1/2     | 2.00 | 1.34 | OCT | 3/4   | 1/2   |
| 74758T-67 | 3/4 X 5/8     | 2.11 | 1.38 | OCT | 3/4   | 5/8   |
| 74758T-67 | 3/4 X 1       | 2.44 | 1.85 | OCT | 3/4   | 1     |
| 74758T-67 | 1             | 2.36 | 1.85 | OCT | 1     | 1     |
| 74758T-67 | 1 X 5/8       | 2.40 | 1.38 | OCT | 1     | 5/8   |
| 74758T-67 | 1 X 3/4       | 3.04 | 1.78 | HEX | 1     | 3/4   |
| 74758T-67 | 1 X 1 1/4     | 2.60 | 2.06 | OCT | 1     | 1 1/4 |
| 74758T-67 | 1 1/2         | 2.62 | 2.44 | OCT | 1 1/2 | 1 1/2 |
| 74758T-67 | 1 1/2 X 1 1/4 | 2.80 | 2.28 | OCT | 1 1/2 | 1 1/4 |
| 74758T-67 | 2             | 2.89 | 3.13 | OCT | 2     | 2     |

## SUBMITTAL INFORMATION

- Manufactured in compliance with ANSI/AWWA C800 (latest revision)
- Brass components in contact with potable water conform to ASTM B584, UNS C89833 (latest revision) and identified with “NL”
- Certified to NSF/ANSI 61 and NSF/ANSI 372
- Brass components not in contact with potable water conform to ASTM B62 and ASTM B584, UNS C83600 -85-5-5-5 (latest revision)
- Large wrench flats provided for proper installation
- Insert stiffeners required on all flexible plastic connections



**A.Y. McDonald Mfg. Co.**  
4800 Chavenelle Rd  
Dubuque, IA 52002

**Toll Free: 1-800-292-2737**  
sales@aymcdonald.com  
[aymcdonald.com](http://aymcdonald.com)

A.Y. McDonald considers the information on this assembly drawing correct when published. Item and option availability, including specifications, are subject to change without notice.

**Submitted by:**