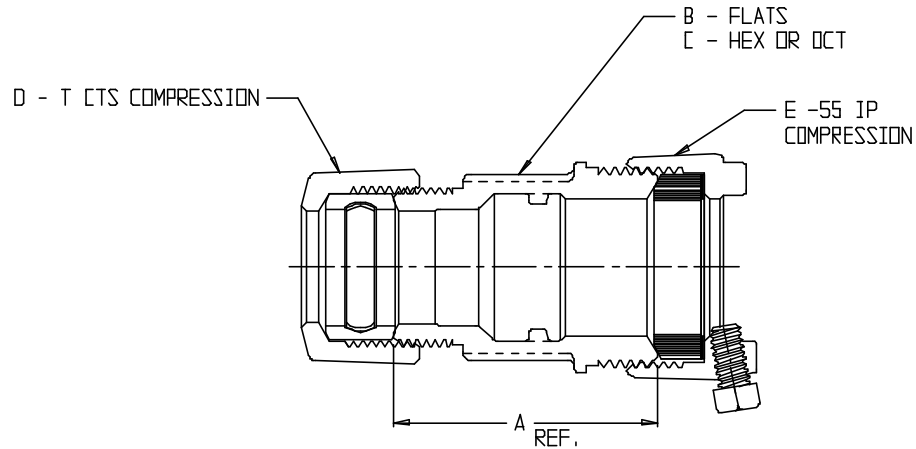


# SUBMITTAL DATA SHEET

NL Service Fitting – 74758T-55

T CTS Compression x -55 IP Compression



MODEL NO.	SIZE	A	B	C	D	E
74758T-55	3/4	2.11	1.38	OCT	3/4	3/4
74758T-55	3/4 X 1	2.26	1.69	HEX	3/4	1
74758T-55	1	2.61	1.85	OCT	1	1
74758T-55	1 X 3/4	2.40	1.38	OCT	1	3/4
74758T-55	1 X 2	2.96	3.05	OCT	1	2
*74758T-55	1 1/2	2.80	2.28	OCT	1 1/2	1 1/2
*74758T-55	2	3.47	3.29	HEX	2	2

\*NOTE: USES TWO SET SCREWS

## SUBMITTAL INFORMATION

- Manufactured in compliance with ANSI/AWWA C800 (latest revision)
- Brass components in contact with potable water conform to ASTM B584, UNS C89833 (latest revision) and identified with “NL”
- Certified to NSF/ANSI 61 and NSF/ANSI 372
- Brass components not in contact with potable water conform to ASTM B62 and ASTM B584, UNS C83600 -85-5-5-5 (latest revision)
- Large wrench flats provided for proper installation
- Insert stiffeners required on all flexible plastic connections



**A.Y. McDonald Mfg. Co.**  
4800 Chavenelle Rd  
Dubuque, IA 52002

**Toll Free: 1-800-292-2737**  
sales@aymcdonald.com  
[aymcdonald.com](http://aymcdonald.com)

A.Y. McDonald considers the information on this assembly drawing correct when published. Item and option availability, including specifications, are subject to change without notice.

**Submitted by:**