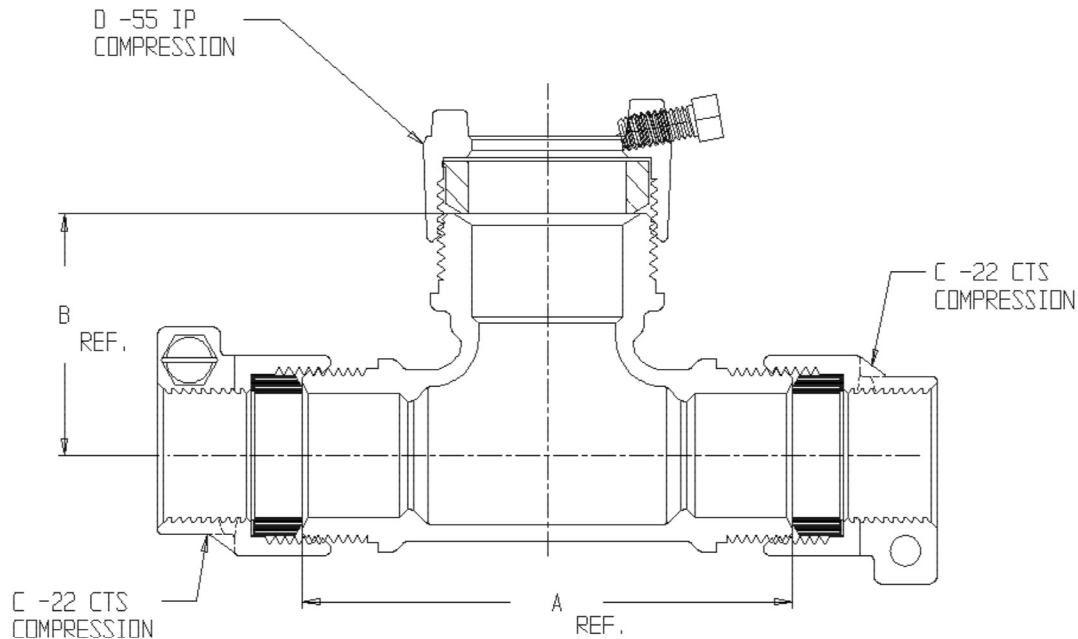


SUBMITTAL DATA SHEET



NL Service Fitting – 74760-22-55

-22 CTS Compression x -22 CTS Compression x -55 IP Compression



| MODEL | SIZE | A | B | C | D |
|-------------|---------|------|------|-----|-----|
| 74760-22-55 | 3/4 | 3.56 | 1.76 | 3/4 | 3/4 |
| 74760-22-55 | 3/4 X 1 | 3.56 | 2.00 | 3/4 | 1 |
| 74760-22-55 | 1 | 4.36 | 2.20 | 1 | 1 |
| 74760-22-55 | 2 X 3/4 | 4.00 | 2.34 | 2 | 3/4 |

SUBMITTAL INFORMATION

- Manufactured in compliance with ANSI/AWWA C800 (latest revision)
- Brass components in contact with potable water conform to ASTM B584, UNS C89833 (latest revision) and identified with “NL”
- Certified to NSF/ANSI 61 and NSF/ANSI 372
- Brass components not in contact with potable water conform to ASTM B62 and ASTM B584, UNS C83600 -85-5-5-5 (latest revision)
- Large wrench flats provided for proper installation
- Insert stiffeners required on all flexible plastic connections



A.Y. McDonald Mfg. Co.
4800 Chavenelle Rd
Dubuque, IA 52002

Toll Free: 1-800-292-2737
sales@aymcdonald.com
aymcdonald.com

A.Y. McDonald considers the information on this assembly drawing correct when published. Item and option availability, including specifications, are subject to change without notice.

Submitted by: