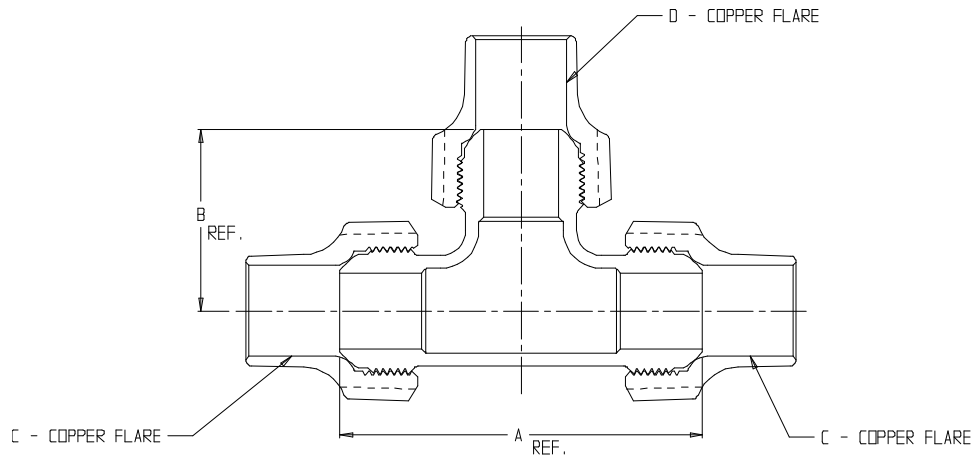


# SUBMITTAL DATA SHEET

NL Service Fitting – 74760

Copper Flare x Copper Flare x Copper Flare



MODEL	SIZE	A	B	C <sub>(2)</sub>	D
74760	1/2	2.81	1.41	1/2	1/2
74760	3/4	3.60	1.80	3/4	3/4
74760	3/4 X 1	3.81	1.91	3/4	1
74760	1	4.18	2.09	1	1
74760	1 X 3/4	4.18	1.96	1	3/4
74760	1 X 1 1/4	4.36	2.34	1	1 1/4
74760	1 1/2	5.90	2.95	1 1/2	1 1/2
74760	2	7.28	3.64	2	2

## SUBMITTAL INFORMATION

- Manufactured in compliance with ANSI/AWWA C800 (latest revision)
- Brass components in contact with potable water conform to ASTM B584, UNS C89833 (latest revision) and identified with “NL”
- Certified to NSF/ANSI 61 and NSF/ANSI 372
- Brass components not in contact with potable water conform to ASTM B62 and ASTM B584, UNS C83600 -85-5-5-5 (latest revision)
- Large wrench flats provided for proper installation



**A.Y. McDonald Mfg. Co.**  
4800 Chavenelle Rd  
Dubuque, IA 52002

**Toll Free: 1-800-292-2737**  
sales@aymcdonald.com  
[aymcdonald.com](http://aymcdonald.com)

A.Y. McDonald considers the information on this assembly drawing correct when published. Item and option availability, including specifications, are subject to change without notice.

**Submitted by:**