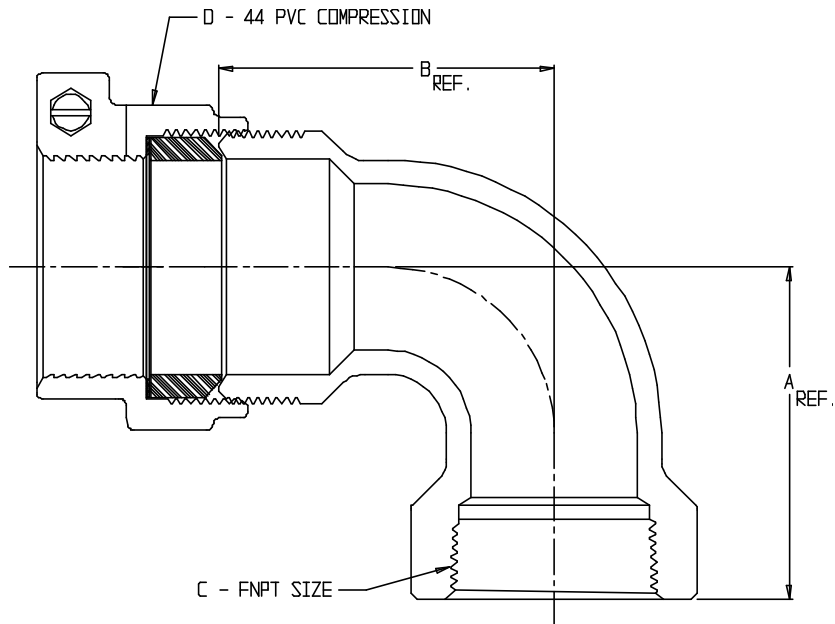


SUBMITTAL DATA SHEET

NL Service Fitting – 74779-44

-44 PVC Compression x FNPT



MODEL	SIZE	A	B	C	D
74779-44	3/4	1.88	1.88	3/4	3/4
74779-44	1	2.49	2.32	1	1
74779-44	1 1/2	3.00	3.03	1 1/2	1 1/2
74779-44	2	3.45	3.62	2	2

SUBMITTAL INFORMATION

- Manufactured in compliance with ANSI/AWWA C800 (latest revision)
- Brass components in contact with potable water conform to ASTM B584, UNS C89833 (latest revision) and identified with “NL”
- Certified to NSF/ANSI 61 and NSF/ANSI 372
- Brass components not in contact with potable water conform to ASTM B62 and ASTM B584, UNS C83600 -85-5-5-5 (latest revision)
- Large wrench flats provided for proper installation



A.Y. McDonald Mfg. Co.
4800 Chavenelle Rd
Dubuque, IA 52002

Toll Free: 1-800-292-2737
sales@aymcdonald.com
aymcdonald.com

A.Y. McDonald considers the information on this assembly drawing correct when published. Item and option availability, including specifications, are subject to change without notice.

Submitted by: