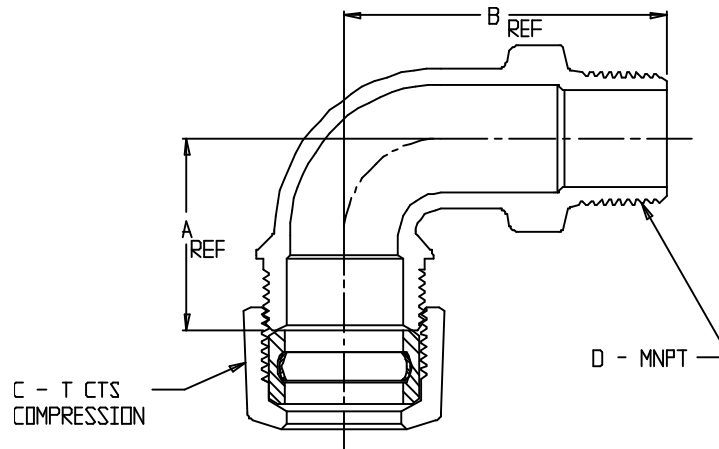


# SUBMITTAL DATA SHEET

NL Service Fitting – 74779MT

T CTS Compression x MNPT



MODEL NO.	SIZE	A	B	C	D
74779MT	3/4	1.49	2.50	3/4	3/4
74779MT	1	1.95	2.64	1	1
74779MT	1 X 3/4	1.88	2.19	1	3/4
74779MT	1 1/4 X 1	2.25	3.16	1 1/4	1
74779MT	1 1/2	2.91	2.91	1 1/2	1 1/2
74779MT	2	3.10	3.10	2	2

## SUBMITTAL INFORMATION

- Manufactured in compliance with ANSI/AWWA C800 (latest revision)
- Brass components in contact with potable water conform to ASTM B584, UNS C89833 (latest revision) and identified with “NL”
- Certified to NSF/ANSI 61 and NSF/ANSI 372
- Brass components not in contact with potable water conform to ASTM B62 and ASTM B584, UNS C83600 -85-5-5-5 (latest revision)
- Large wrench flats provided for proper installation
- Insert stiffeners required on all flexible plastic connections



**A.Y. McDonald Mfg. Co.**  
4800 Chavenelle Rd  
Dubuque, IA 52002

**Toll Free: 1-800-292-2737**  
sales@aymcdonald.com  
[aymcdonald.com](http://aymcdonald.com)

A.Y. McDonald considers the information on this assembly drawing correct when published. Item and option availability, including specifications, are subject to change without notice.

**Submitted by:**