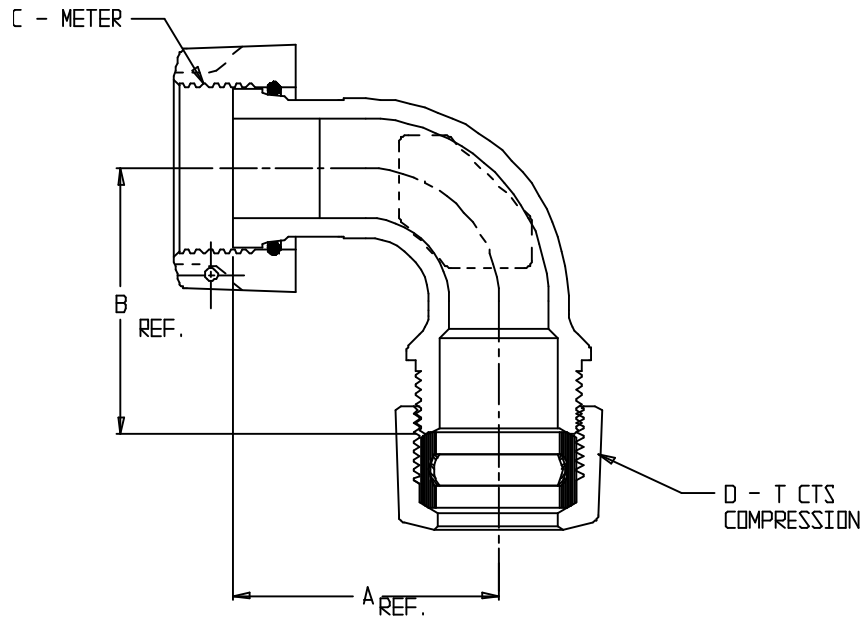


SUBMITTAL DATA SHEET

NL Meter Coupling – 74783ST

Meter Swivel x T CTS Compression



MODEL	SIZE	A	B	C	D
74783ST	5/8 X 3/4	2.01	2.00	5/8	3/4
74783ST	3/4 X 3/4	2.01	2.00	5/8 X 3/4, 3/4	3/4
74783ST	3/4 X 1	2.20	1.88	5/8 X 3/4, 3/4	1
74783ST	1 X 1	1.85	2.27	1	1

SUBMITTAL INFORMATION

- Manufactured in compliance with ANSI/AWWA C800 (latest revision)
- Brass components in contact with potable water conform to ASTM B584, UNS C89833 (latest revision) and identified with “NL”
- Certified to NSF/ANSI 61 and NSF/ANSI 372
- Brass components not in contact with potable water conform to ASTM B62 and ASTM B584, UNS C83600 -85-5-5-5 (latest revision)
- Large wrench area provided for proper installation
- Insert stiffener required on all flexible plastic connections



A.Y. McDonald Mfg. Co.
4800 Chavenelle Rd
Dubuque, IA 52002

Toll Free: 1-800-292-2737
sales@aymcdonald.com
aymcdonald.com

A.Y. McDonald considers the information on this assembly drawing correct when published. Item and option availability, including specifications, are subject to change without notice.

Submitted by: