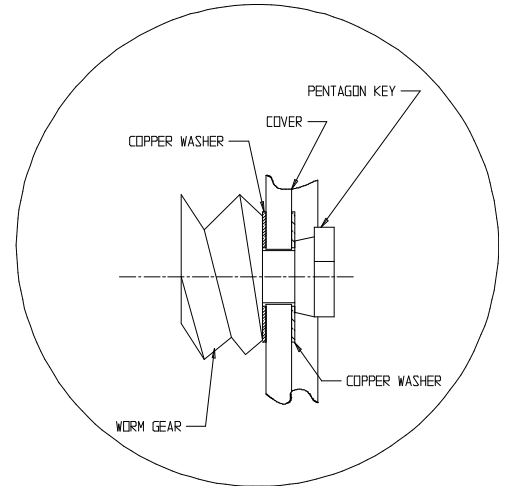
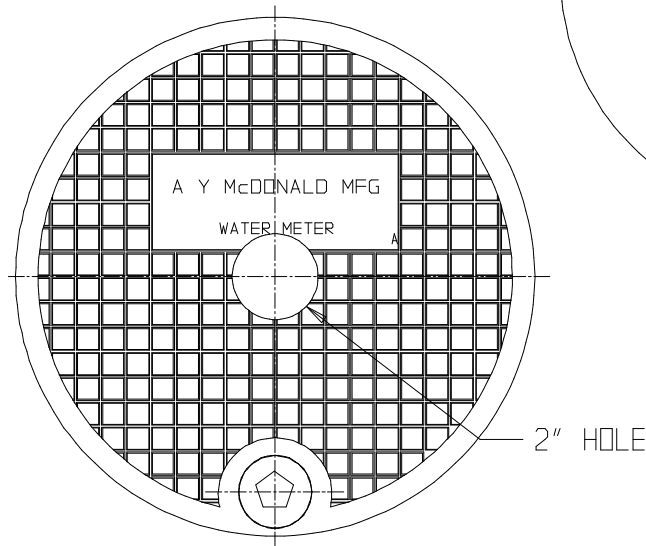
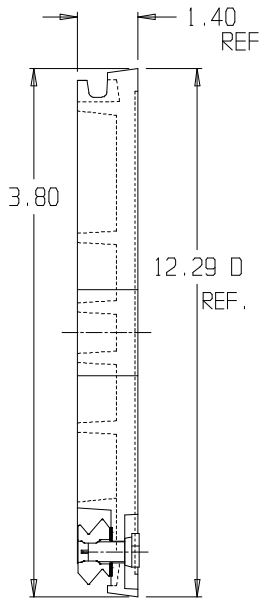


SUBMITTAL DATA SHEET

Frame & Cover – 74MAL115TC x800

11 1/2" A Cover Only



SUBMITTAL INFORMATION

- Locking lid utilize Silicon Bronze pentagon bolt with copper washers



A.Y. McDonald Mfg. Co.
P.O. Box 508
Dubuque, IA 52004-508

Toll Free: 1-800-292-2737
Fax: 1-800-832-9296
Hours: 7:00 a.m. – 5:00 p.m., CST

sales@aymcdonald.com
www.aymcdonald.com

A.Y. McDonald considers the information on this assembly drawing correct when published. Item and option availability, including specifications, are subject to change without notice.

Submitted by: