

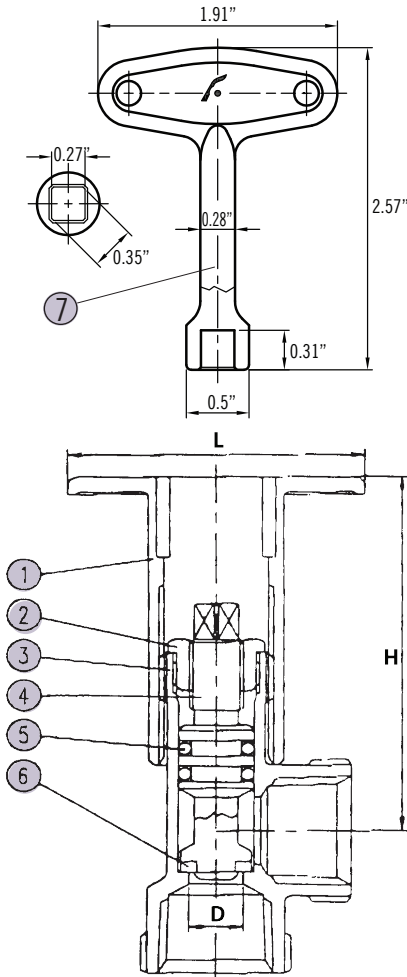
# SUBMITTAL DATA SHEET

Log Lighter Valves - Gas Only  
Angle - Chrome – 10722

FNPT x FNPT



A.Y. McDonald Mfg. Co. straight and angle log lighter valves are constructed of heavy-duty forged brass. They have a teflon seat and a viton rubber synthetic fiber stem seal. The extremely high B.T.U. capacity makes them a good choice for either natural or artificial fireplaces. Valves are designed for use with natural, manufactured or LP gas only.



## Dimensions

Part No.	Model No.	Size	L	H	D
4901-125	10722	1/2"	2.17	2.40	.39

## Materials

No.	Part	Material
1	Extended Tube	Zinc Alloy
2	Gland Screw	Brass
3	Body	Brass
4	Stem	Brass
5	O-ring	Rubber
6	Seat Packing	Teflon
7	Operating Key	Zinc Alloy

## SUBMITTAL INFORMATION

- Available size: 1/2"
- **Includes Escutcheon & Key**
- Threads conform to ANSI B1.20.1

All valves manufactured to:

 B16.44 5 PSIG  
**ANSI** Z21.15 1/2 PSIG



Non-Potable Use Only



**A.Y. McDonald Mfg. Co.**  
4800 Chavenelle Rd  
Dubuque, IA 52002

**Toll Free: 1-800-292-2737**  
sales@aymcdonald.com  
aymcdonald.com

A.Y. McDonald considers the information on this assembly drawing correct when published. Item and option availability, including specifications, are subject to change without notice.

Submitted by: