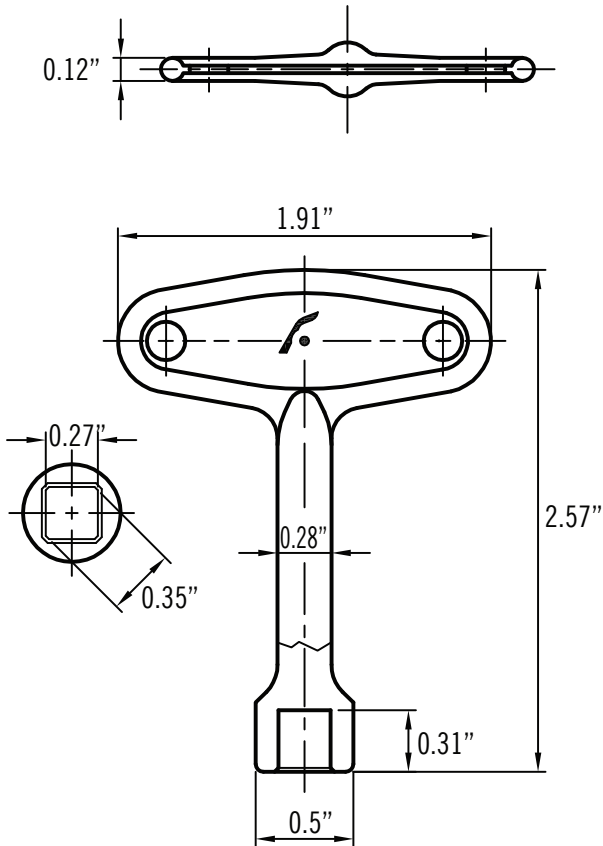


SUBMITTAL DATA SHEET

Log Lighter Valve – Gas Only
Operating Key – Chrome – 10720KC



Straight and angle log lighter valves are constructed of heavy-duty forged brass with chrome or polished brass escutcheon. They have a teflon seat and a viton rubber synthetic fiber stem seal. The extremely high B.T.U. capacity makes them a good choice for either natural or artificial fireplaces. Valves are designed for use with natural, manufactured or LP gas only.



Materials

No.	Part	Material
1	Operating Key	Zinc Alloy

NO-LEAD: The weighted average of the wetted surface of this no-lead product contacted by consumable water contains less than one quarter of one percent (0.25%) lead.



A.Y. McDonald Mfg. Co.
4800 Chavenelle Rd
Dubuque, IA 52002

Toll Free: 1-800-292-2737
sales@aymcdonald.com
aymcdonald.com

A.Y. McDonald considers the information on this assembly drawing correct when published. Item and option availability, including specifications, are subject to change without notice.

Submitted by: