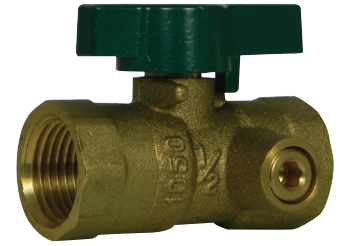


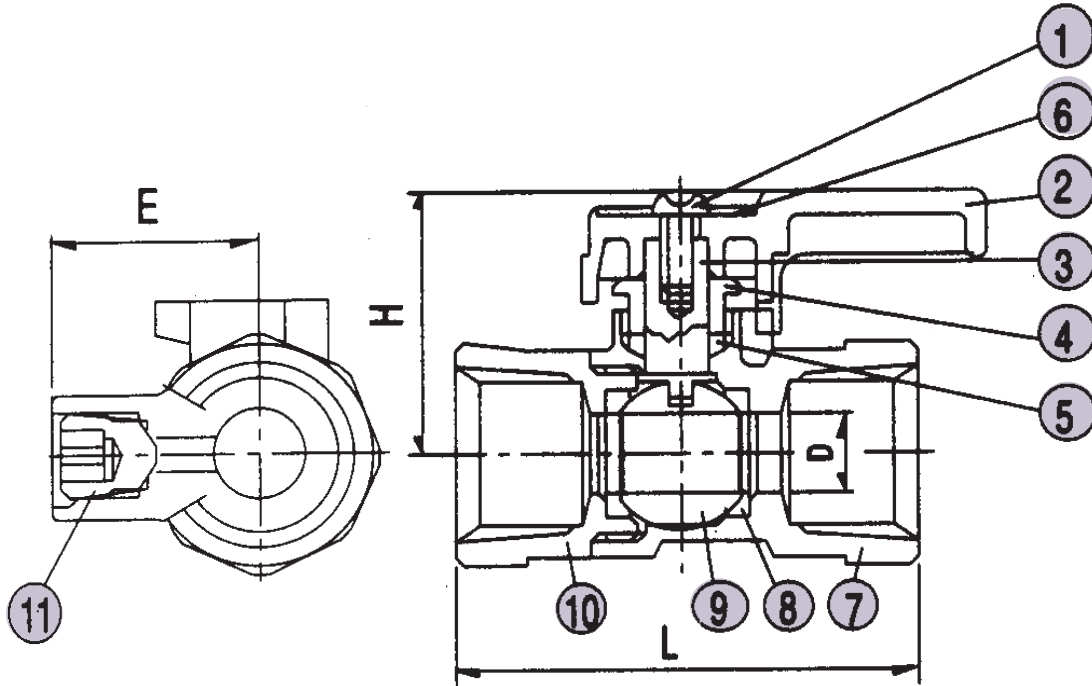
# SUBMITTAL DATA SHEET

Gas Ball Valve with Pilot Tap – 10724

FNPT x FNPT



A.Y. McDonald Mfg. Co. Gas Ball Valves equipped with a 1/8" FNPT Pilot Tap are constructed of heavy duty forged brass and designed for residential, commercial, and industrial use in low pressure gas applications. A manometer can be attached to the side tap allowing line pressure to be tested at the valve eliminated the need for a test tee and the labor to install it. Valves listed are suitable for use with natural, manufactured, mixed and LP gases and with LP gas - air mixtures.



## Dimensions

Part No.	Model No.	Size	L	H	D	E
4420-217	10724	1/2"	2.24"	1.22"	.39"	.90"
4420-218	10724	3/4"	2.56"	1.38"	.59"	.98"

## Materials

No.	Part	Material	No.	Part	Material
1	Screw	Steel	7	Body	Forged Brass
2	Handle	Zinc Alloy	8	Ball Disc Packing	Teflon
3	Stem	Brass	9	Ball	Chrome Plated Brass
4	Stem Gland Screw	Brass	10	End Plug	Forged Brass
5	Gland Packing	Teflon	11	Plug	Brass
6	Name Plate	Aluminum			

## SUBMITTAL INFORMATION

- Available Sizes: 1/2" and 3/4"
- Ambient working temp. = 32°F to 125°F
- Quarter turn operation
- 2-piece forged brass body
- Blowout proof stem



Non-Potable Use Only



**A.Y. McDonald Mfg. Co.**  
4800 Chavenelle Rd  
Dubuque, IA 52002

**Toll Free: 1-800-292-2737**  
sales@aymcdonald.com  
aymcdonald.com

A.Y. McDonald considers the information on this assembly drawing correct when published. Item and option availability, including specifications, are subject to change without notice.

Submitted by: