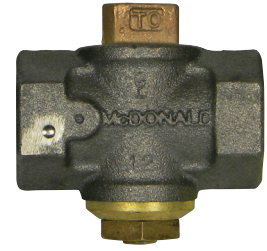


# SUBMITTAL DATA SHEET

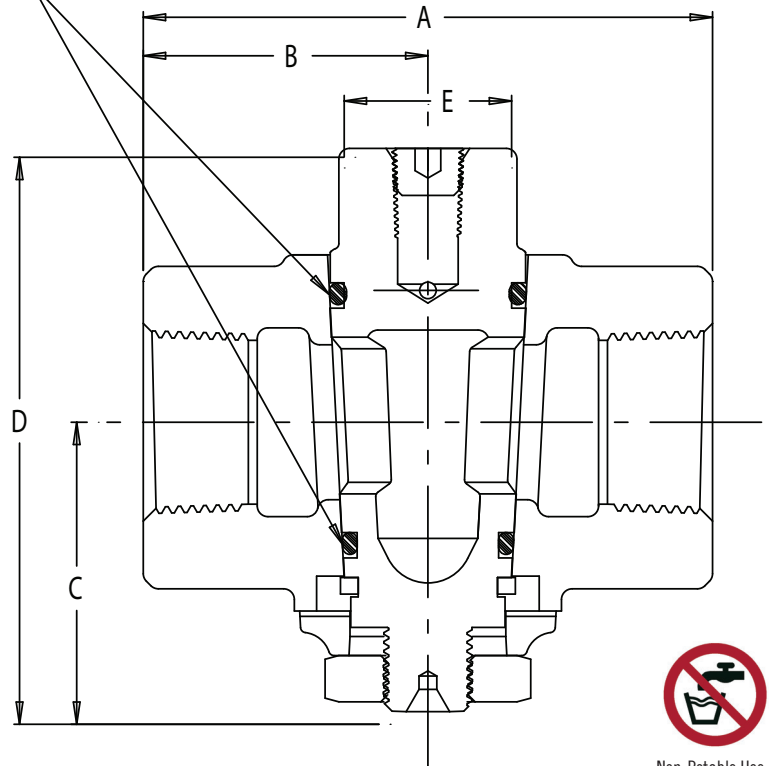
Black Iron Gas Valve - Plug Style - Gas Only  
 Tamperproof Flat Head – 10685B

FNPT x FNPT



A.Y. McDonald Mfg. Co. Iron Body Gas Plug Valves are designed for use with natural, manufactured and propane gas only. Use in above ground gas piping systems. These valves are considered full port of flow.

Nitrile "O" RINGS



## Dimensions

Size	A	B	C	D	E
1/2"	3.14	1.57	1.66	3.16	1.00
3/4"	3.14	1.57	1.66	3.16	1.00
1"	3.36	1.68	1.86	3.53	1.12
1 1/4"	3.88	1.94	2.38	4.38	1.38
1 1/2"	4.66	2.33	2.66	4.99	1.62
2"	5.60	2.80	2.97	5.57	1.87



## SUBMITTAL INFORMATION

- 175 PSIG
- Ambient temperatures between -20°F to 150°F
- Less Check
- Brass Plug
- May be re-lubricated while in service and under pressure
- Threads per ANSI/ASME B1.20.1
- Iron castings conform to ASTM A126 Class B Iron
- Manufactured to the guidelines set forth in ANSI/ASME B16.33 (latest revision)
- Brass castings conform to ASTM B584, UNS C83600 or C84400 (latest revision)
- NOTE: All A.Y. McDonald plug style gas valves are factory set  
**DO NOT TAMPER WITH BOTTOM NUT**

WARNING: It is unlawful in CALIFORNIA & VERMONT (effective 1/1/2010); MARYLAND (effective 1/1/2012); LOUISIANA (effective 1/1/2013) and the UNITED STATES OF AMERICA (effective 1/4/2014) to use THIS PRODUCT in the installation or repair of any public water system or any plumbing in a facility or system that provides water for human consumption. The wetted surface area of THIS PRODUCT has a weighted average lead content greater than 0.25%.



A.Y. McDonald Mfg. Co.  
 4800 Chavenelle Rd  
 Dubuque, IA 52002

Toll Free: 1-800-292-2737  
 sales@aymcdonald.com  
 aymcdonald.com

A.Y. McDonald considers the information on this assembly drawing correct when published. Item and option availability, including specifications, are subject to change without notice.

Submitted by: