

SUBMITTAL DATA SHEET

NL Stop and Waste Ball Curb Stop – 76004-33

-33 PEP Compression x -33 PEP Compression

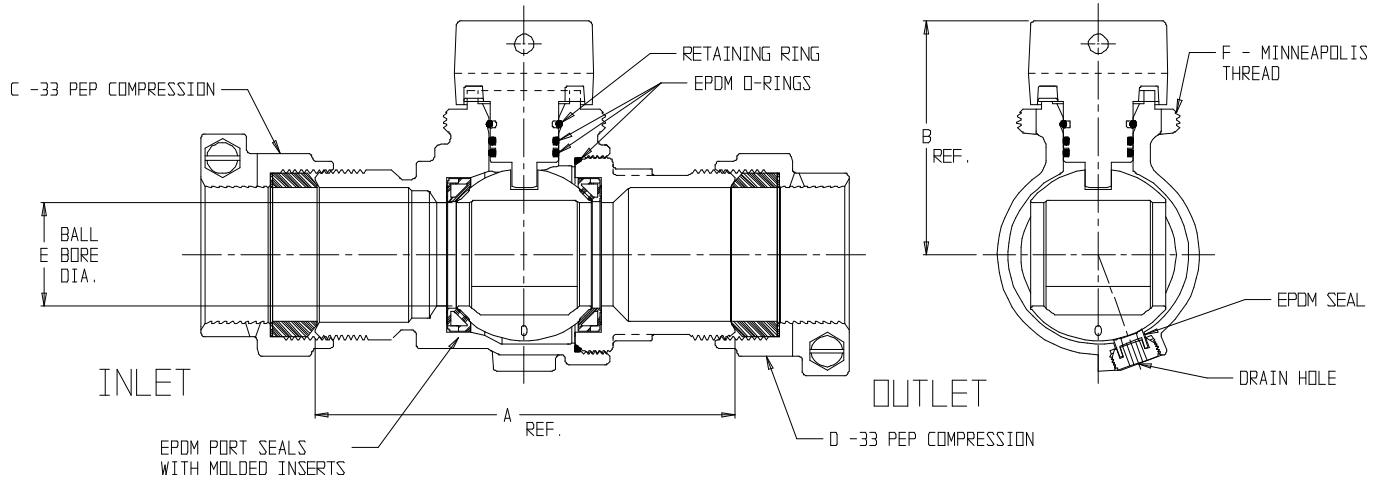
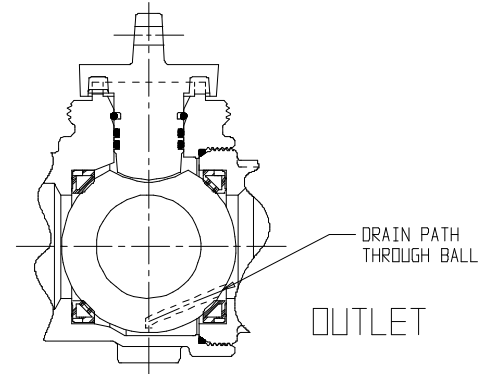


CUT AWAY VIEW
DRAIN PATH

| MODEL NO. | SIZE | A | B | C | D | E | F |
|-----------|-------------------|------|------|-------|-------|-------|-------|
| 76004-33 | 3/4x1x3/4 | 4.47 | 2.65 | 3/4 | 3/4 | 1 | 1 1/2 |
| 76004-33 | 1 1/2 X 2 X 1 1/2 | 8.52 | 2.00 | 1 1/2 | 1 1/2 | 1 1/2 | 2 |
| 76004-33 | 2 | 8.76 | 2.00 | 2 | 2 | 2 | 2 |

NOTE: VALVE IS DIRECTIONAL

INLET



SUBMITTAL INFORMATION

- Manufactured in compliance with ANSI/AWWA C800 (latest revision)
- Brass components in contact with potable water conform to ASTM B584, UNS C89833 (latest revision) and identified with "NL"
- Certified to NSF/ANSI 61 and NSF/ANSI 372
- Brass components not in contact with potable water conform to ASTM B62 and ASTM B584, UNS C83600 -85-5-5-5 (latest revision)
- PTFE coated brass ball
- Rated for 150 PSIG water pressure with cast directional arrow
- Blow out proof EPDM port seals
- Joints sealed with EPDM o-rings and thread locker
- Insert stiffeners required for flexible plastic connections



A.Y. McDonald Mfg. CO.
4800 Chavenelle Rd
Dubuque, IA 52002

Toll Free: 1-800-292-2737
sales@aymcdonald.com
aymcdonald.com

A.Y. McDonald considers the information on this assembly drawing correct when published. Item and option availability, including specifications, are subject to change without notice.

Submitted by: