

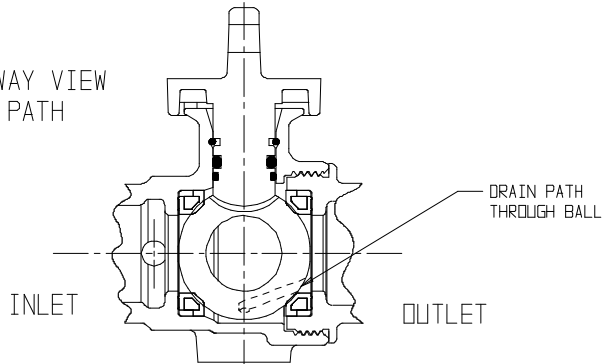
# SUBMITTAL DATA SHEET

## NL Stop and Waste Ball Curb Stop – 76000

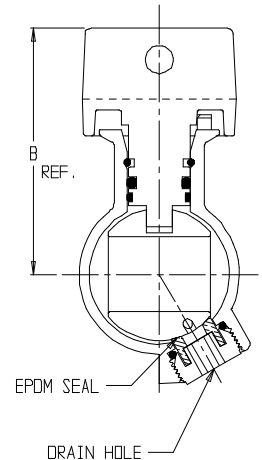
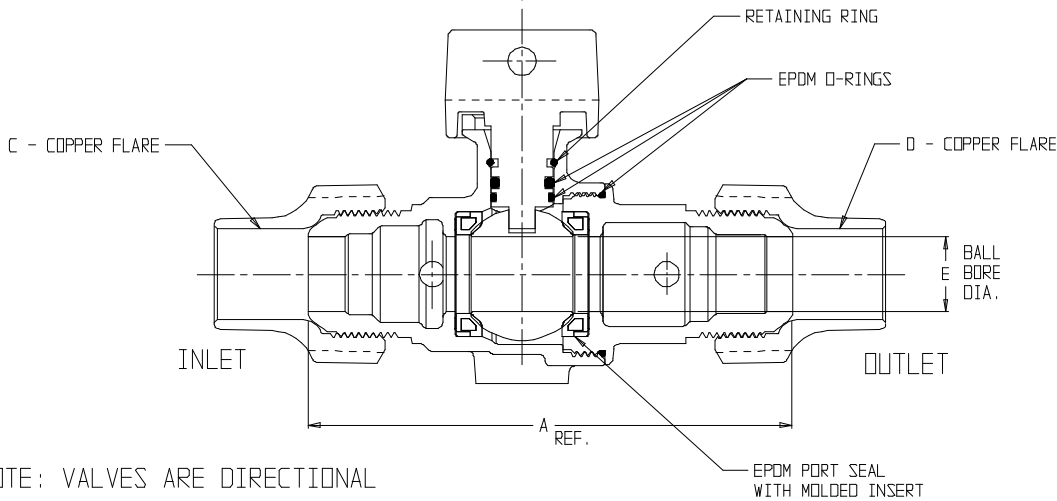
Copper Flare x Copper Flare



CUT AWAY VIEW  
DRAIN PATH



| MODEL | SIZE  | A    | B    | C     | D     | E     |
|-------|-------|------|------|-------|-------|-------|
| 76000 | 3/4   | 4.81 | 2.42 | 3/4   | 3/4   | 3/4   |
| 76000 | 1     | 5.06 | 2.65 | 1     | 1     | 1     |
| 76000 | 1 1/2 | 6.84 | 3.37 | 1 1/2 | 1 1/2 | 1 1/2 |
| 76000 | 2     | 8.76 | 3.71 | 2     | 2     | 2     |



NOTE: VALVES ARE DIRECTIONAL

### SUBMITTAL INFORMATION

- Manufactured in compliance with ANSI/AWWA C800 (latest revision)
- Brass components in contact with potable water conform to ASTM B584, UNS C89833 (latest revision) and identified with "NL"
- Certified to NSF/ANSI 61 and NSF/ANSI 372
- Brass components not in contact with potable water conform to ASTM B62 and ASTM B584, UNS C83600 -85-5-5-5 (latest revision)
- PTFE coated brass ball
- Rated for 150 PSIG water pressure with cast directional arrow
- Blow out proof EPDM port seals
- Joints sealed with EPDM o-rings and thread locker



**A.Y. McDonald Mfg. CO.**  
4800 Chavenelle Rd  
Dubuque, IA 52002

**Toll Free: 1-800-292-2737**  
sales@aymcdonald.com  
[aymcdonald.com](http://aymcdonald.com)

A.Y. McDonald considers the information on this assembly drawing correct when published. Item and option availability, including specifications, are subject to change without notice.

**Submitted by:**