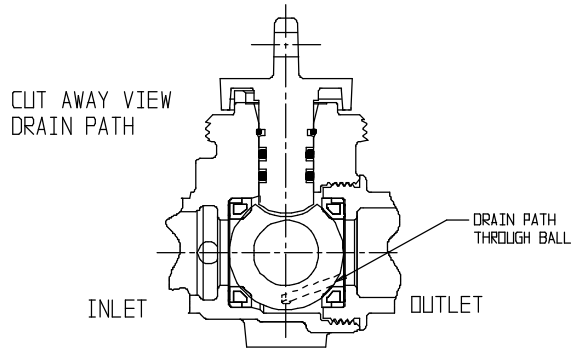


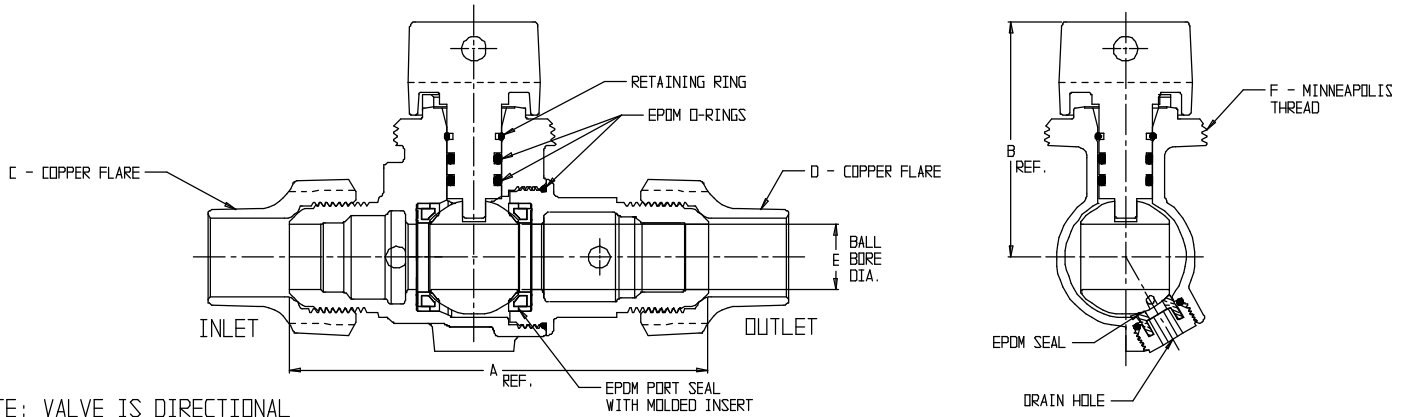
SUBMITTAL DATA SHEET

NL Stop and Waste Ball Curb Stop – 76004

Copper Flare x Copper Flare



MODEL	SIZE	A	B	C	D	E	F
76004	3/4	4.81	2.70	3/4	3/4	3/4	1 1/2
76004	1	5.46	2.65	1	1	1	1 1/2
76004	1 1/4	6.50	2.94	1 1/4	1 1/4	1 1/4	2
76004	1 1/2	6.84	3.40	1 1/2	1 1/2	1 1/2	2
76004	2	8.76	3.71	2	2	2	2



SUBMITTAL INFORMATION

- Manufactured in compliance with ANSI/AWWA C800 (latest revision)
- Brass components in contact with potable water conform to ASTM B584, UNS C89833 (latest revision) and identified with "NL"
- Certified to NSF/ANSI 61 and NSF/ANSI 372
- Brass components not in contact with potable water conform to ASTM B62 and ASTM B584, UNS C83600 -85-5-5-5 (latest revision)
- PTFE coated brass ball
- Rated for 150 PSIG water pressure with cast directional arrow
- Blow out proof EPDM port seals
- Joints sealed with EPDM o-rings and thread locker



A.Y. McDonald Mfg. CO.
4800 Chavenelle Rd
Dubuque, IA 52002

Toll Free: 1-800-292-2737
sales@aymcdonald.com
aymcdonald.com

A.Y. McDonald considers the information on this assembly drawing correct when published. Item and option availability, including specifications, are subject to change without notice.

Submitted by: