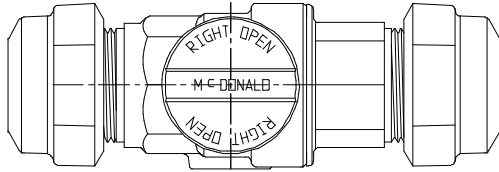


SUBMITTAL DATA SHEET

NL Stop and Waste Ball Curb Stop – 76070Q

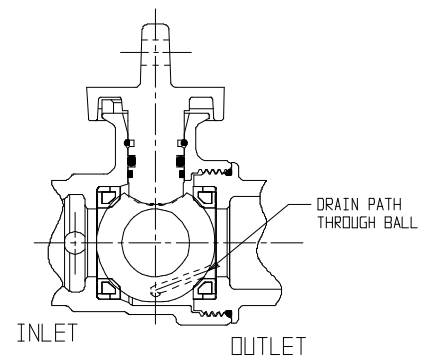
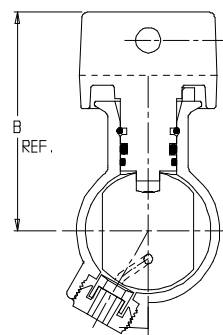
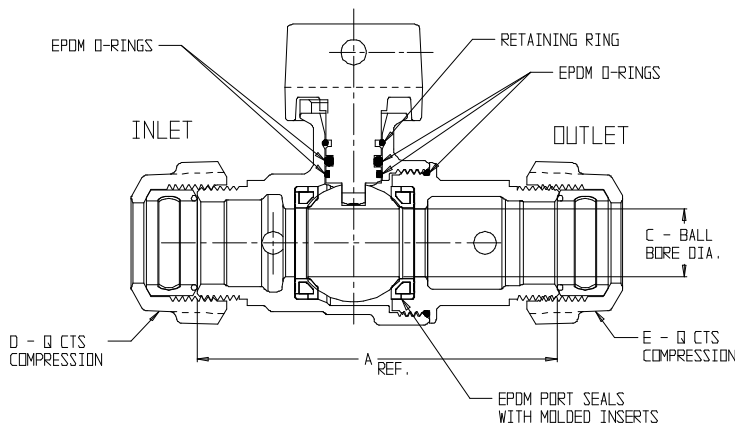
Q CTS Compression x Q CTS Compression



MODEL	SIZE	A	B	C	D	E
76070Q	3/4	4.00	2.42	.75	3/4	3/4
76070Q	1	4.45	2.65	1.00	1	1
76070Q	1 1/2	6.05	3.40	1.50	1 1/2	1 1/2
76070Q	2	7.00	3.71	2.00	2	2

NOTE: VALVES ARE DIRECTIONAL

CUT AWAY VIEW
DRAIN PATH



SUBMITTAL INFORMATION

- Manufactured in compliance with ANSI/AWWA C800 (latest revision)
- Brass components in contact with potable water conform to ASTM B584, UNS C89833 (latest revision) and identified with “NL”
- Certified to NSF/ANSI 61 and NSF/ANSI 372
- Brass components not in contact with potable water conform to ASTM B62 and ASTM B584, UNS C83600 -85-5-5-5 (latest revision)
- PTFE coated brass ball
- Rated for 150 PSIG water pressure with cast directional arrow
- Blow out proof EPDM port seals
- Joints sealed with EPDM o-rings and thread locker
- Insert stiffeners required on all flexible plastic connections



A.Y. McDonald Mfg. CO.
4800 Chavenelle Rd
Dubuque, IA 52002

Toll Free: 1-800-292-2737
sales@aymcdonald.com
aymcdonald.com

A.Y. McDonald considers the information on this assembly drawing correct when published. Item and option availability, including specifications, are subject to change without notice.

Submitted by: