

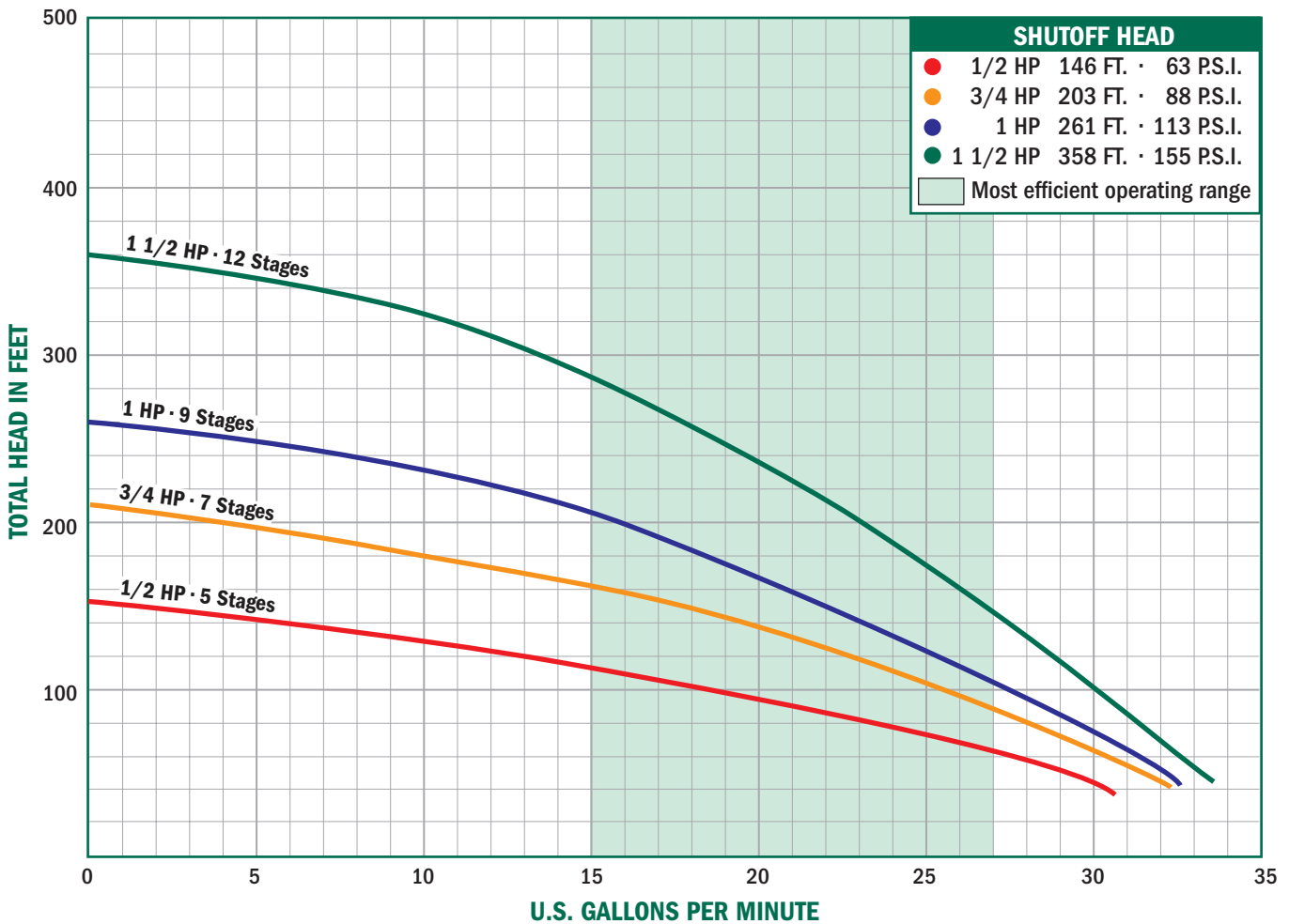
# SUBMITTAL DATA SHEET

22000 Series  
 4" No-Lead Thermoplastic Submersible Pumps  
**P - 20 GPM**



A.Y. McDonald offers a full line of thermoplastic submersible pumps built for years of trouble free operation, with high-efficiency impellers and diffusers. These submersibles offer peak capacity performance in 5, 7, 10, 15, 20, and 25 gallons per minute (GPM). Other features include thermoplastic discharge head with a built-in check valve, and stainless steel shaft and coupling.

All Thermoplastic pumps have 1 1/4" discharge with internal check valve and sizes range from 1/2 to 1 1/2 horsepower (HP). Two or three wire models up to 1 1/2 horsepower (HP).



NO-LEAD: The weighted average of the wetted surface of this no-lead product contacted by consumable water contains less than one quarter of one percent (0.25%) lead.



**A.Y. McDonald Mfg. Co.**  
 4800 Chavenelle Rd  
 Dubuque, IA 52002

**Toll Free: 1-800-292-2737**  
 sales@aymcdonald.com  
 aymcdonald.com

A.Y. McDonald considers the information on this assembly drawing correct when published. Item and option availability, including specifications, are subject to change without notice.

**Submitted by:**

# SUBMITTAL DATA SHEET

## 22000 Series 4" No-Lead Thermoplastic Submersible Pumps P - 20 GPM



### Two Wire Single Phase

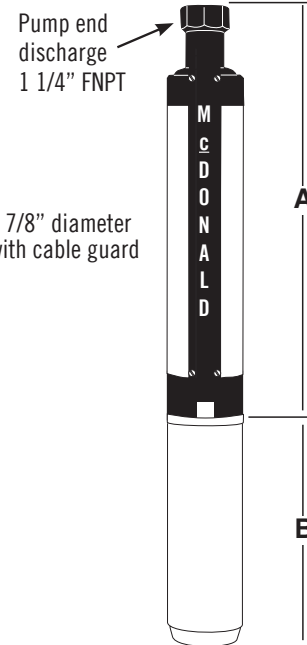
Part No.	Model No.	HP	Stages	Volt	A	B	Wt.
6634-221	22050P2A	1/2	5	115	12.5"	13.4"	22
6634-220	22050P2	1/2	5	230	12.5"	13.0"	22
6634-225	22075P2	3/4	7	230	14.6"	13.8"	26
6634-230	22100P2	1	9	230	16.8"	16.8"	36
6634-234	22150P2	1 1/2	12	230	20.0"	18.5"	38

### Three Wire Single Phase

Part No.	Model No.	HP	Stages	Volt	A	B	Wt.
6634-189	22050P3A	1/2	5	115	12.0"	9.5"	25
6634-223	22050P3	1/2	5	230	12.02"	10.5"	26
6634-227	22075P3	3/4	7	230	14.2"	11.3"	29
6634-232	22100P3	1	9	230	16.8"	13.6"	32
6634-236	22150P3	1 1/2	12	230	20.0"	16.2"	42

### 4" Thermoplastic Pump Ends

Part No.	Model No.	HP	Wt.
6634-181	22050P	1/2	5
6634-224	22075P	3/4	6
6634-229	22100P	1	7
6634-233	22150P	1 1/2	8



\*\* All three wire pumps are available in three phase by selecting pump end and appropriate motor and starter kit.

### Output - in Gallons Per Minute (Depth to Water)

1/2 HP	PSI	25'	50'	75'	100'	125'
0	32.34	28.61	24.35	19.26	12.48	
30	20.53	14.28	2.68			
40	14.83	4.36				
50	5.68					

3/4 HP	PSI	25'	50'	75'	100'	125'	150'	175'	200'
0	32.36	29.82	27.06	24.01	20.58	16.54	11.39	2.53	
30	24.74	21.40	17.53	12.71	5.44				
40	21.67	17.85	13.13	6.20					
50	18.16	13.54	6.91						
60	13.93	7.56							

FRICITION LOSSES IN RISER PIPE  
HAVE NOT BEEN CALCULATED

1 HP	PSI	25'	50'	75'	100'	125'	150'	175'	200'	225'	250'
0	33.30	31.39	29.36	27.19	24.84	22.26	19.37	16.02	11.88	5.72	
30	27.70	25.39	22.87	20.06	16.84	12.92	7.49				
40	25.57	23.07	20.29	17.10	13.26	8.01					
50	23.27	20.51	17.36	13.58	8.50						
60	20.73	17.62	13.90	8.97							

1 1/2 HP	PSI	50'	100'	150'	200'	250'	300'	350'
0	32.95	29.95	26.64	22.90	18.50	12.88	3.03	
30	28.71	25.26	21.30	16.53	10.04			
40	27.17	23.50	19.23	13.86	5.38			
50	25.53	21.62	16.93	10.65				
60	23.80	19.58	14.33	6.32				

NO-LEAD: The weighted average of the wetted surface of this no-lead product contacted by consumable water contains less than one quarter of one percent (0.25%) lead.



A.Y. McDonald Mfg. Co.  
4800 Chavenelle Rd  
Dubuque, IA 52002

Toll Free: 1-800-292-2737  
sales@aymcdonald.com  
aymcdonald.com

A.Y. McDonald considers the information on this assembly drawing correct when published. Item and option availability, including specifications, are subject to change without notice.

Submitted by: