

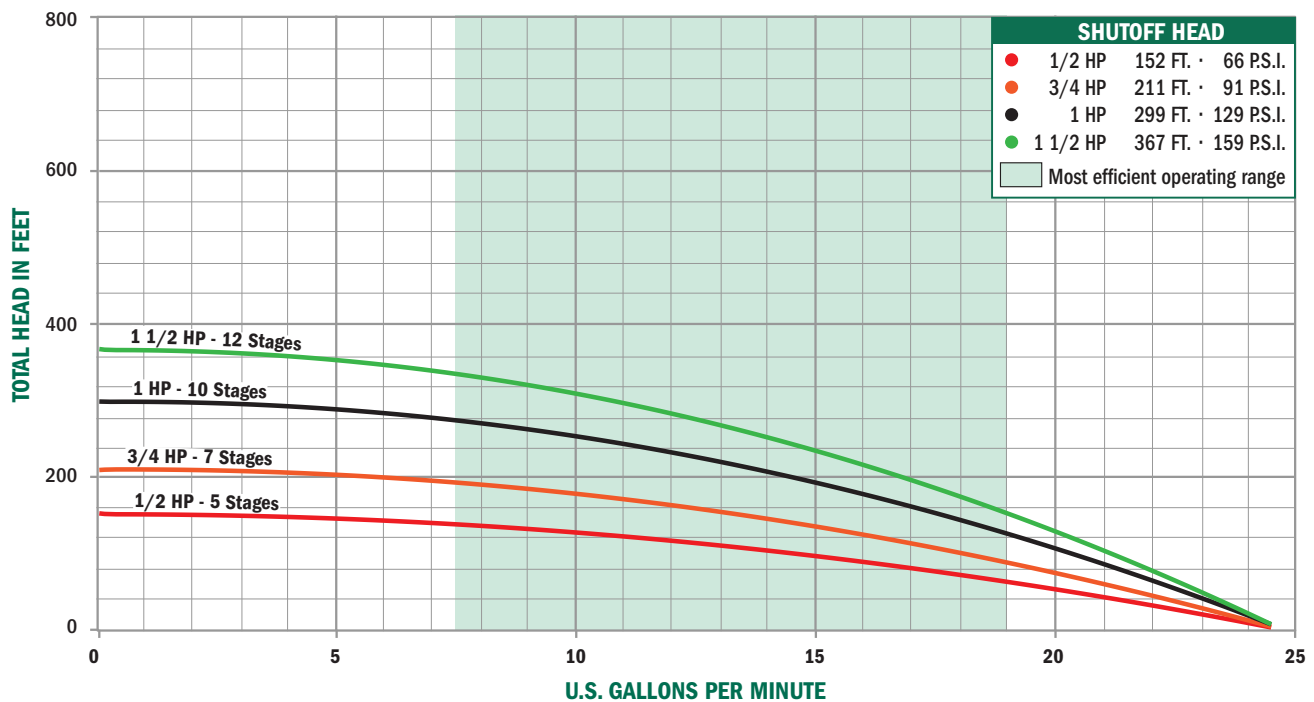
SUBMITTAL DATA SHEET

25000 Series Thermoplastic
4" No-Lead Stainless Steel Submersible Pumps

L - 15 GPM



All Thermoplastic Submersible Pumps are designed to pump within the 15 gallons per minute (GPM) range. Sizes are available from 1/2 to 1 1/2 HP. All models are standard with 1 1/4" NPT discharge.



NO-LEAD: The weighted average of the wetted surface of this no-lead product contacted by consumable water contains less than one quarter of one percent (0.25%) lead.



A.Y. McDonald Mfg. Co.
4800 Chavenelle Rd
Dubuque, IA 52002

Toll Free: 1-800-292-2737
sales@aymcdonald.com
aymcdonald.com

A.Y. McDonald considers the information on this assembly drawing correct when published. Item and option availability, including specifications, are subject to change without notice.

Submitted by:

SUBMITTAL DATA SHEET

25000 Series Thermoplastic 4" No-Lead Stainless Steel Submersible Pumps L - 15 GPM



Two Wire Single Phase

Part No.	Model No.	HP	Stages	Volt	A	B	Wt.
6630-869	25050L2A	1/2	5	115V	12.2"	13.4"	30
6630-448	25050L2	1/2	5	230V	12.2"	13.0"	27
6630-447	25075L2	3/4	7	230V	13.5"	13.8"	27
6630-446	25100L2	1	10	230V	15.6"	16.8"	37
6630-445	25150L2	1 1/2	12	230V	17.0"	18.5"	39

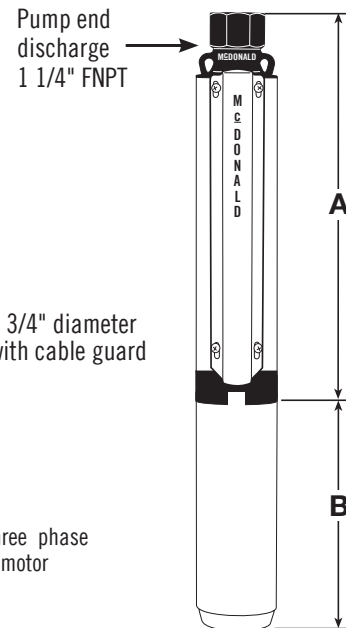
Three Wire** Single Phase

Part No.	Model No.	HP	Stages	Volt	A	B	Wt.
6630-875	25050L3A	1/2	5	115V	12.2"	9.5"	28
6630-469	25050L3	1/2	5	230V	12.2"	10.5"	28
6630-468	25075L3	3/4	7	230V	13.5"	11.3"	30
6630-467	25100L3	1	10	230V	15.6"	13.6"	34
6630-466	25150L3	1 1/2	12	230V	17.0"	16.2"	39

4" Thermoplastic Pump Ends

Part No.	Model No.	HP	Wt.
6630-425	25050L	1/2	6
6630-424	25075L	3/4	6
6630-423	25100L	1	7
6630-422	25150L	1 1/2	8

** All three wire pumps are available in three phase by selecting pump end and appropriate motor and starter kit.



Output - in Gallons Per Minute (Depth to Water)

1/2 HP	PSI	25'	50'	75'	100'	125'	150'
	0	22.7	20.4	17.8	14.6	10.6	3.1
	30	15.4	11.7	5.8	9.1	6.1	
	50	7.0	9.5	6.6			

3/4 HP	PSI	25'	50'	75'	100'	125'	150'	175'	200'
	0	23.3	21.7	20.0	18.1	16.0	13.6	10.5	6.0
	30	18.6	16.5	14.2	11.3	7.3			
	50	14.6	11.8	8.1					
60	12.0	8.4							

1 HP	PSI	25'	50'	75'	100'	125'	150'	175'	200'	225'	250'	275'
	0	23.8	22.7	21.6	20.4	19.1	17.7	16.2	14.5	12.6	10.4	7.4
	30	20.6	19.4	18.0	6.6	14.9	13.1	10.9	8.2	3.6		
	50	18.2	16.8	15.2	13.4	11.3	8.7	4.7				
60	16.9	15.3	13.5	11.5	8.9	5.1						

1 1/2 HP	PSI	25'	50'	75'	100'	125'	150'	175'	200'	225'	250'	275'	300'	325'	350'
	0	23.9	23.1	22.1	21.2	20.2	19.1	18.0	16.8	15.5	14.1	12.6	10.8	8.6	5.6
	30	21.4	20.4	19.4	18.3	17.1	15.8	14.5	12.9	11.2	9.1	6.4			
	50	19.5	18.4	17.3	16.0	14.7	13.2	11.5	9.5	6.9					
60	18.5	17.4	16.1	14.8	13.3	11.6	9.6	7.1							

FRICITION LOSSES IN RISER PIPE HAVE NOT BEEN CALCULATED

NO-LEAD: The weighted average of the wetted surface of this no-lead product contacted by consumable water contains less than one quarter of one percent (0.25%) lead.



A.Y. McDonald Mfg. Co.
4800 Chavenelle Rd
Dubuque, IA 52002

Toll Free: 1-800-292-2737
sales@aymcdonald.com
aymcdonald.com

A.Y. McDonald considers the information on this assembly drawing correct when published. Item and option availability, including specifications, are subject to change without notice.

Submitted by: