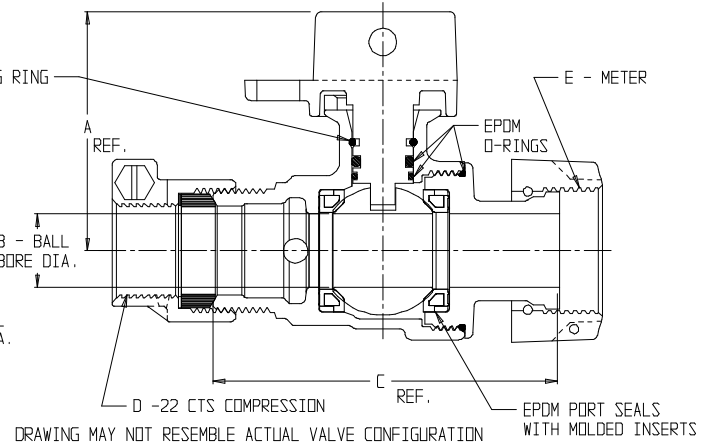
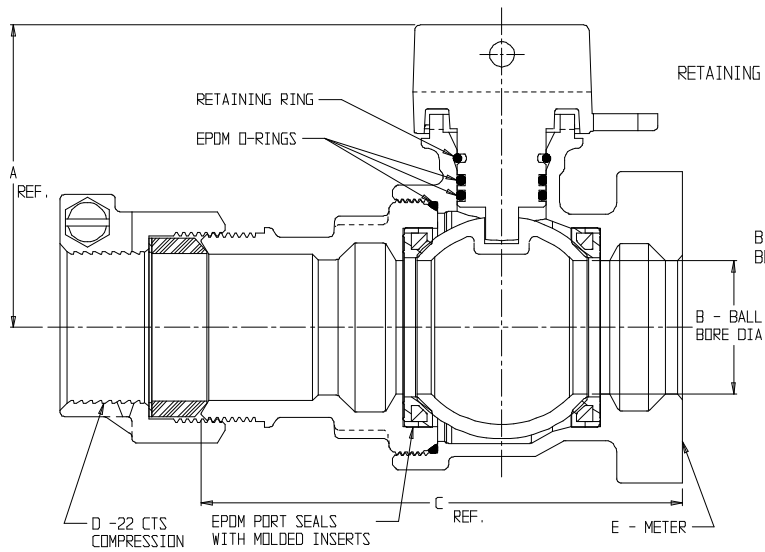


SUBMITTAL DATA SHEET

NL Ball Style Meter Stop – 76100MW-22

-22 CTS Compression x Meter



| MODEL | SIZE | A | B | C | D | E |
|------------|-------|------|------|------|-------|------------|
| 76100MW-22 | 1 1/2 | 3.40 | 1.50 | 5.40 | 1 1/2 | 1 1/2 |
| 76100MW-22 | 2 | 3.70 | 2.00 | 6.55 | 2 | 1 1/2 OR 2 |

| MODEL | SIZE | A | B | C | D | E |
|------------|------------------------|------|------|------|-----|----------------|
| 76100MW-22 | 3/4 X 5/8 X 5/8 | 2.31 | .63 | 3.28 | 3/4 | 5/8 |
| 76100MW-22 | 3/4 X 3/4 X 5/8 | 2.42 | .75 | 3.67 | 3/4 | 5/8 |
| 76100MW-22 | 1 X 3/4 X 5/8 | 2.42 | .75 | 3.71 | 1 | 5/8 |
| 76100MW-22 | 3/4 X 5/8 X 3/4 | 2.31 | .63 | 3.30 | 3/4 | 5/8 X 3/4, 3/4 |
| 76100MW-22 | 3/4 X 5/8 X 3/4 X 3.75 | 2.31 | .63 | 3.75 | 3/4 | 5/8 X 3/4, 3/4 |
| 76100MW-22 | 3/4 X 5/8 X 3/4 X 3.88 | 2.31 | .63 | 3.88 | 3/4 | 5/8 X 3/4, 3/4 |
| 76100MW-22 | 1 X 5/8 X 3/4 | 2.31 | .63 | 3.92 | 1 | 5/8 X 3/4, 3/4 |
| 76100MW-22 | 3/4 | 2.42 | .75 | 3.51 | 3/4 | 5/8 X 3/4, 3/4 |
| 76100MW-22 | 1 X 3/4 X 3/4 | 2.42 | .75 | 3.55 | 1 | 5/8 X 3/4, 3/4 |
| 76100MW-22 | 1 X 3/4 X 1 | 2.42 | .75 | 3.65 | 1 | 1 |
| 76100MW-22 | 1 | 2.64 | 1.00 | 4.47 | 1 | 1 |

SUBMITTAL INFORMATION

- Manufactured in compliance with ANSI/AWWA C800 (latest revision)
- Brass components in contact with potable water conform to ASTM B584, UNS C89833 (latest revision) and identified with “NL”
- Certified to NSF/ANSI 61 and NSF/ANSI 372
- Brass components not in contact with potable water conform to ASTM B62 and ASTM B584, UNS C83600 -85-5-5-5 (latest revision)
- PTFE coated brass ball
- Valve rated for 300 PSIG water pressure, end connections not to exceed rated pipe pressures.
- Blow out proof EPDM port seals
- End piece joint sealed with an EPDM o-ring and thread locker
- Insert stiffeners required on all flexible plastic connections



A.Y. McDonald Mfg. Co.
4800 Chavenelle Rd
Dubuque, IA 52002

Toll Free: 1-800-292-2737
sales@aymcdonald.com
aymcdonald.com

A.Y. McDonald considers the information on this assembly drawing correct when published. Item and option availability, including specifications, are subject to change without notice.

Submitted by: