

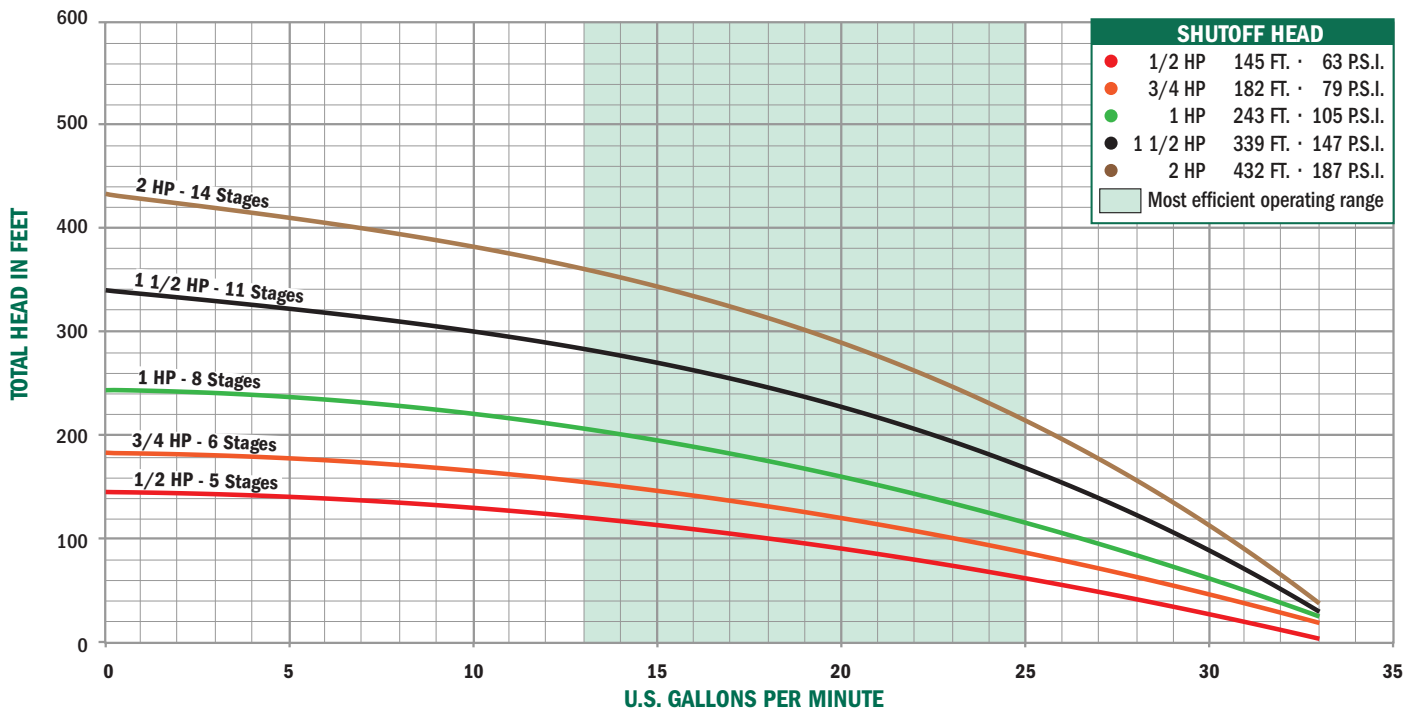
# SUBMITTAL DATA SHEET

25000 Series Thermoplastic  
4" No-Lead Stainless Steel Submersible Pumps

## P - 20 GPM



All Thermoplastic Submersible Pumps are designed to pump within the 20 gallons per minute (GPM) range. Sizes are available from 1/2 to 2 HP. All models are standard with 1 1/4" NPT discharge.



**NO-LEAD:** The weighted average of the wetted surface of this no-lead product contacted by consumable water contains less than one quarter of one percent (0.25%) lead.



**A.Y. McDonald Mfg. Co.**  
4800 Chavenelle Rd  
Dubuque, IA 52002

**Toll Free:** 1-800-292-2737  
sales@aymcdonald.com  
aymcdonald.com

A.Y. McDonald considers the information on this assembly drawing correct when published. Item and option availability, including specifications, are subject to change without notice.

**Submitted by:**

# SUBMITTAL DATA SHEET

25000 Series Thermoplastic  
4" No-Lead Stainless Steel Submersible Pumps

## P - 20 GPM



### Two Wire Single Phase

Part No.	Model No.	HP	Stages	Volt	A	B	Wt.
6630-870	25050P2A	1/2	5	115V	12.9"	13.4"	25
6630-452	25050P2	1/2	5	230V	12.9"	13.0"	25
6630-451	25075P2	3/4	6	230V	13.8"	13.8"	27
6630-450	25100P2	1	8	230V	15.5"	16.8"	36
6630-449	25150P2	1 1/2	11	230V	21.5"	18.5"	40

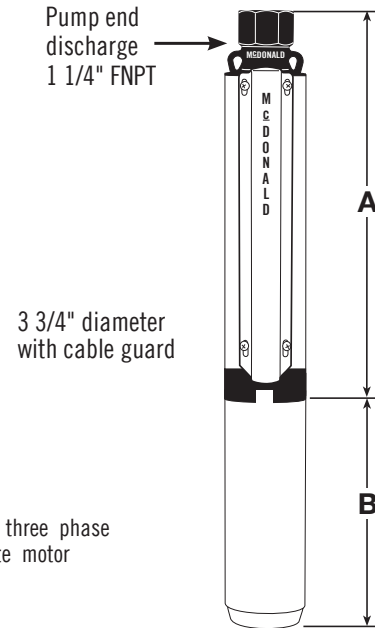
### Three Wire\*\* Single Phase

Part No.	Model No.	HP	Stages	Volt	A	B	Wt.
6630-876	25050P3A	1/2	5	115V	12.9"	9.5"	28
6630-474	25050P3	1/2	5	230V	12.9"	10.5"	28
6630-473	25075P3	3/4	6	230V	13.8"	11.3"	30
6630-472	25100P3	1	8	230V	15.5"	13.6"	34
6630-471	25150P3	1 1/2	11	230V	21.5"	16.2"	42
6630-470	25200P3	2	14	230V	20.6"	16.2"	33

### 4" Thermoplastic Pump Ends

Part No.	Model No.	HP	Wt.
6630-430	25050P	1/2	6
6630-429	25075P	3/4	6
6630-428	25100P	1	7
6630-427	25150P	1 1/2	8
6630-426	25200P	2	9

\*\* All three wire pumps are available in three phase by selecting pump end and appropriate motor and starter kit



### Output - in Gallons Per Minute (Depth to Water)

1/2 HP	PSI	25'	50'	75'	100'	125'
	0	30.3	26.8	22.8	18.0	11.6
	30	19.2	13.3			
	50	4.8				

3/4 HP	PSI	25'	50'	75'	100'	125'	150'	175'
	0	32.3	29.6	26.5	23.1	19.1	14.1	6.2
	30	23.9	20.1	15.4	8.6			
	50	16.2	9.9					
60	10.5							

1 HP	PSI	25'	50'	75'	100'	125'	150'	175'	200'	225'
	0	33.0	31.0	28.8	26.5	24.0	21.2	18.0	14.1	8.8
	30	27.1	24.6	21.9	18.7	15.1	10.2			
	50	22.3	19.2	15.7	11.1					
60	19.5	16.0	11.5							

1 1/2 HP	PSI	25'	50'	75'	100'	125'	150'	175'	200'	225'	250'	275'	300'	325'
	0	33.2	32.0	30.7	29.4	27.9	26.3	24.5	22.5	20.2	17.5	14.2	9.9	4.1
	30	29.7	28.2	26.6	24.9	23.0	20.7	18.2	15.0	11.0	5.6			
	50	26.9	25.2	23.3	21.1	18.6	15.5	11.7	6.5					
60	25.3	23.4	21.3	18.8	15.8	12.0	7.0							

2 HP	PSI	25'	50'	75'	100'	125'	150'	175'	200'	225'	250'	275'	300'	325'	350'	375'	400'
	0	33.5	32.5	31.6	30.5	29.5	28.3	27.1	25.8	24.3	22.8	21.1	19.1	16.9	14.2	10.9	6.8
	30	30.8	29.7	28.6	27.4	26.1	24.7	23.2	21.5	19.6	17.4	14.8	11.8	7.8			
	50	28.8	27.6	26.3	24.9	23.4	21.7	19.9	17.7	15.3	12.3	8.5					
60	27.7	26.4	25.0	23.5	21.9	20.0	17.9	15.5	12.5	8.8							

FRICITION LOSSES IN RISER PIPE HAVE NOT BEEN CALCULATED

NO-LEAD: The weighted average of the wetted surface of this no-lead product contacted by consumable water contains less than one quarter of one percent (0.25%) lead.



A.Y. McDonald Mfg. Co.  
4800 Chavenelle Rd  
Dubuque, IA 52002

Toll Free: 1-800-292-2737  
sales@aymcdonald.com  
aymcdonald.com

A.Y. McDonald considers the information on this assembly drawing correct when published. Item and option availability, including specifications, are subject to change without notice.

Submitted by: