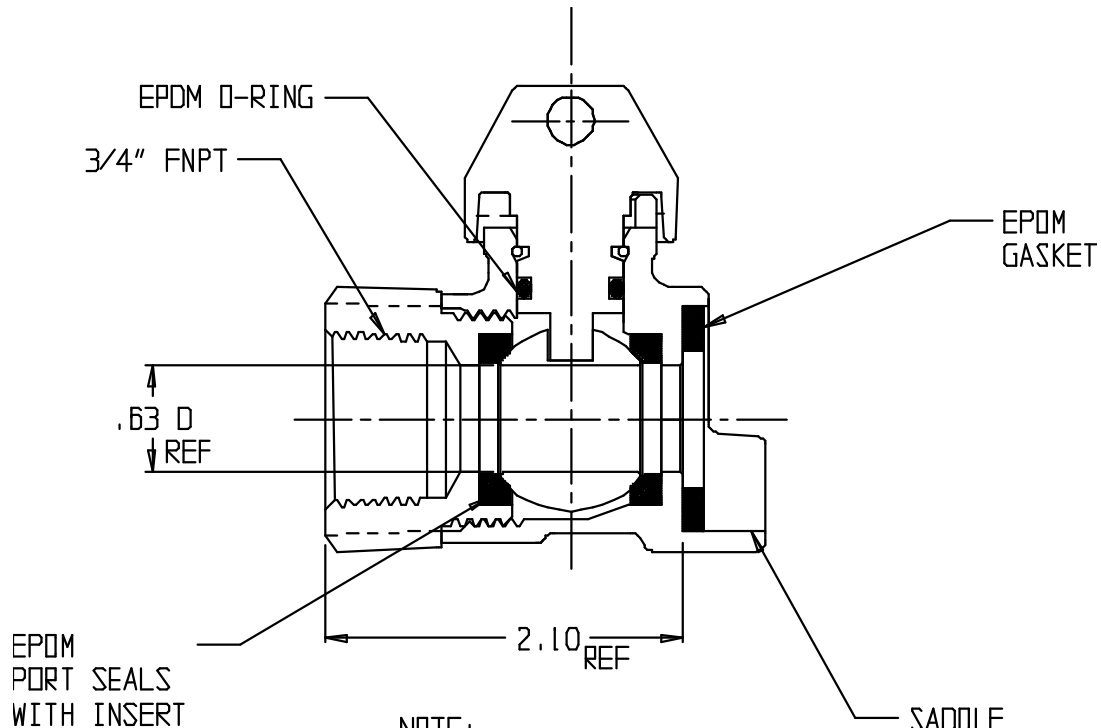


SUBMITTAL DATA SHEET

NL YOKE & LONGBOX - 76101A 3/4x5/8x3/4

FNPT x Yoke/Long Yokebox Saddle



NOTE:

THIS BALL VALVE CAN ONLY BE USED IN YOKE AND LONG YOKE BOX BALL VALVE BASE TRAYS (IT CAN'T BE USED IN PLUG VALVE BASE TRAYS)

SADDLE FOR 5/8x3/4 METER

SUBMITTAL INFORMATION

- Manufactured in compliance with ANSI/AWWA C800 (latest revision)
- Brass components in contact with potable water conform to ASTM B584, UNS C89833 (latest revision) and identified with "NL"
- Brass components not in contact with potable water conform to ASTM B62 and ASTM B584, UNS C83600 -85-5-5-5 (latest revision)
- Designed to provide proper meter spacing for ease of installation
- Large wrench flats provided for proper installation



A.Y. McDonald Mfg. Co.
4800 Chavenelle Rd
Dubuque, IA 52002

Toll Free: 1-800-292-2737
sales@aymcdonald.com
aymcdonald.com

A.Y. McDonald considers the information on this assembly drawing correct when published. Item and option availability, including specifications, are subject to change without notice.

Submitted by: