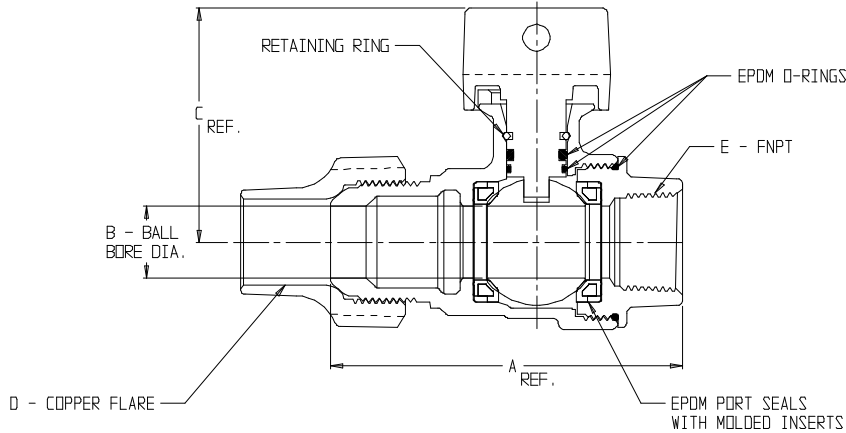


# SUBMITTAL DATA SHEET

## NL Ball Style Curb Stop – 76102

Copper Flare x FNPT



MODEL	SIZE	A	B	C	D	E
76102	3/4 X 5/8 X 3/4	3.33	.62	2.31	3/4	3/4
76102	3/4 X 5/8 X 3/4 X 4.00	4.00	.62	2.31	3/4	3/4
76102	3/4	3.63	.75	2.40	3/4	3/4
76102	3/4 X 3/4 X 1	3.77	.75	2.40	3/4	1
76102	1 X 3/4 X 3/4	3.66	.75	2.40	1	3/4
76102	1 X 3/4 X 1	3.89	.75	2.40	1	1
76102	1	4.34	1.00	2.65	1	1
76102	1 X 5.25	5.25	1.00	2.65	1	1
76102	1 1/4 X 1 X 1	4.61	1.00	2.65	1 1/4	1
76102	1 1/4 X 1 X 1 1/4	4.75	1.00	2.65	1 1/4	1 1/4
76102	1 1/4	4.94	1.25	2.94	1 1/4	1 1/4
76102	1 1/2	5.28	1.50	3.40	1 1/2	1 1/2
76102	2	6.82	2.00	3.67	2	2
76102	2 X 2 X 2 1/2	7.38	2.00	3.67	2	2 1/2

### SUBMITTAL INFORMATION

- Manufactured in compliance with ANSI/AWWA C800 (latest revision)
- Brass components in contact with potable water conform to ASTM B584, UNS C89833 (latest revision) and identified with “NL”
- Certified to NSF/ANSI 61 and NSF/ANSI 372
- Brass components not in contact with potable water conform to ASTM B62 and ASTM B584, UNS C83600 -85-5-5-5 (latest revision)
- PTFE coated brass ball
- Valve rated for 300 PSIG water pressure, end connections not to exceed rated pipe pressures.
- Blow out proof EPDM port seals
- End piece joint sealed with an EPDM o-ring and thread locker



**A.Y. McDonald Mfg. Co.**  
4800 Chavenelle Rd  
Dubuque, IA 52002

**Toll Free: 1-800-292-2737**  
sales@aymcdonald.com  
[aymcdonald.com](http://aymcdonald.com)

A.Y. McDonald considers the information on this assembly drawing correct when published. Item and option availability, including specifications, are subject to change without notice.

**Submitted by:**