

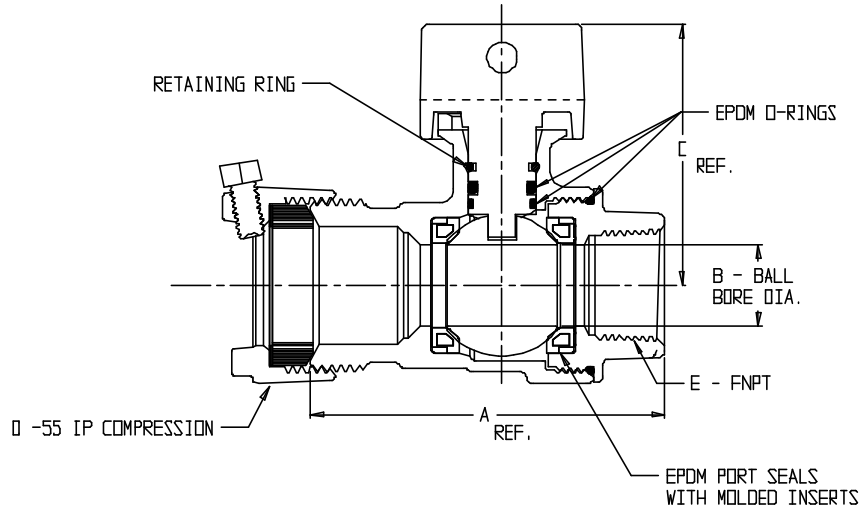
# SUBMITTAL DATA SHEET

## NL Ball Style Curb Stop – 76102-55

-55 IP Compression x FNPT



DRAWING MAY NOT RESEMBLE ACTUAL VALVE CONFIGURATION



| MODEL    | SIZE            | A    | B    | C    | D   | E   |
|----------|-----------------|------|------|------|-----|-----|
| 76102-55 | 3/4 X 5/8 X 3/4 | 3.88 | .63  | 2.32 | 3/4 | 3/4 |
| 76102-55 | 3/4             | 3.28 | .75  | 2.42 | 3/4 | 3/4 |
| 76102-55 | 3/4 X 3/4 X 1   | 3.42 | .75  | 2.42 | 3/4 | 1   |
| 76102-55 | 3/4 X 1 X 1     | 3.76 | 1.00 | 2.65 | 3/4 | 1   |
| 76102-55 | 1               | 4.06 | 1.00 | 2.65 | 1   | 1   |
| 76102-55 | 2               | 6.80 | 2.00 | 3.71 | 2   | 2   |

### SUBMITTAL INFORMATION

- Manufactured in compliance with ANSI/AWWA C800 (latest revision)
- Brass components in contact with potable water conform to ASTM B584, UNS C89833 (latest revision) and identified with “NL”
- Certified to NSF/ANSI 61 and NSF/ANSI 372
- Brass components not in contact with potable water conform to ASTM B62 and ASTM B584, UNS C83600 -85-5-5-5 (latest revision)
- PTFE coated brass ball
- Valve rated for 300 PSIG water pressure, end connections not to exceed rated pipe pressures.
- Blow out proof EPDM port seals
- End piece joint sealed with an EPDM o-ring and thread locker



**A.Y. McDonald Mfg. Co.**  
4800 Chavenelle Rd  
Dubuque, IA 52002

**Toll Free: 1-800-292-2737**  
sales@aymcdonald.com  
[aymcdonald.com](http://aymcdonald.com)

A.Y. McDonald considers the information on this assembly drawing correct when published. Item and option availability, including specifications, are subject to change without notice.

**Submitted by:**