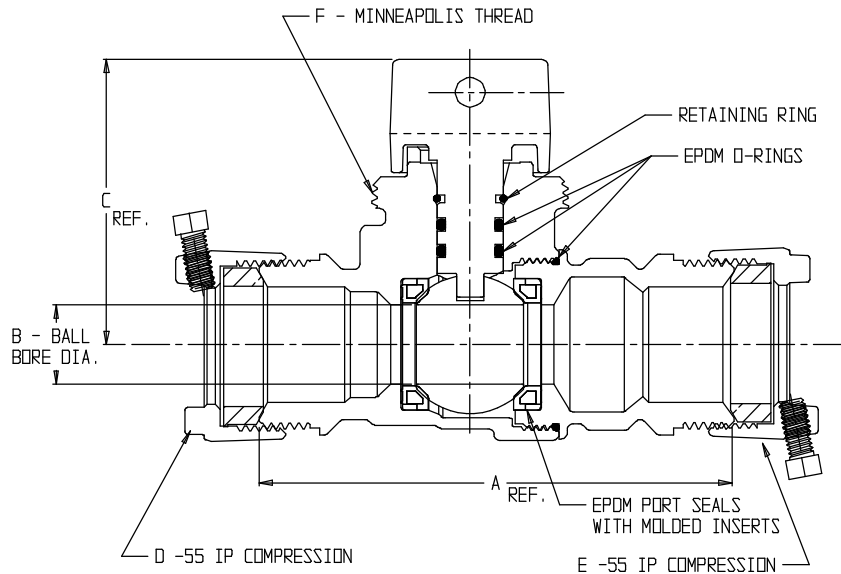


# SUBMITTAL DATA SHEET



## NL Ball Style Curb Stop – 76104-55

-55 IP Compression x -55 IP Compression



MODEL NO.	SIZE	A	B	C	D	E	F
76104-55	3/4	4.48	.75	2.70	3/4	3/4	1 1/2
76104-55	3/4 X 1 X 1	4.79	1.00	2.65	3/4	1	1 1/2
76104-55	1	4.80	1.00	2.65	1	1	1 1/2
*76104-55	1 1/2	6.04	1.50	3.39	1 1/2	1 1/2	2
*76104-55	2	8.76	2.00	3.70	2	2	2

\* NOTE: USES 2 SET SCREWS

### SUBMITTAL INFORMATION

- Manufactured in compliance with ANSI/AWWA C800 (latest revision)
- Brass components in contact with potable water conform to ASTM B584, UNS C89833 (latest revision) and identified with “NL”
- Certified to NSF/ANSI 61 and NSF/ANSI 372
- Brass components not in contact with potable water conform to ASTM B62 and ASTM B584, UNS C83600 -85-5-5-5 (latest revision)
- PTFE coated brass ball
- Valve rated for 300 PSIG water pressure, end connections not to exceed rated pipe pressures.
- Blow out proof EPDM port seals
- End piece joint sealed with an EPDM o-ring and thread locker



**A.Y. McDonald Mfg. Co.**  
4800 Chavenelle Rd  
Dubuque, IA 52002

**Toll Free: 1-800-292-2737**  
sales@aymcdonald.com  
[aymcdonald.com](http://aymcdonald.com)

A.Y. McDonald considers the information on this assembly drawing correct when published. Item and option availability, including specifications, are subject to change without notice.

**Submitted by:**