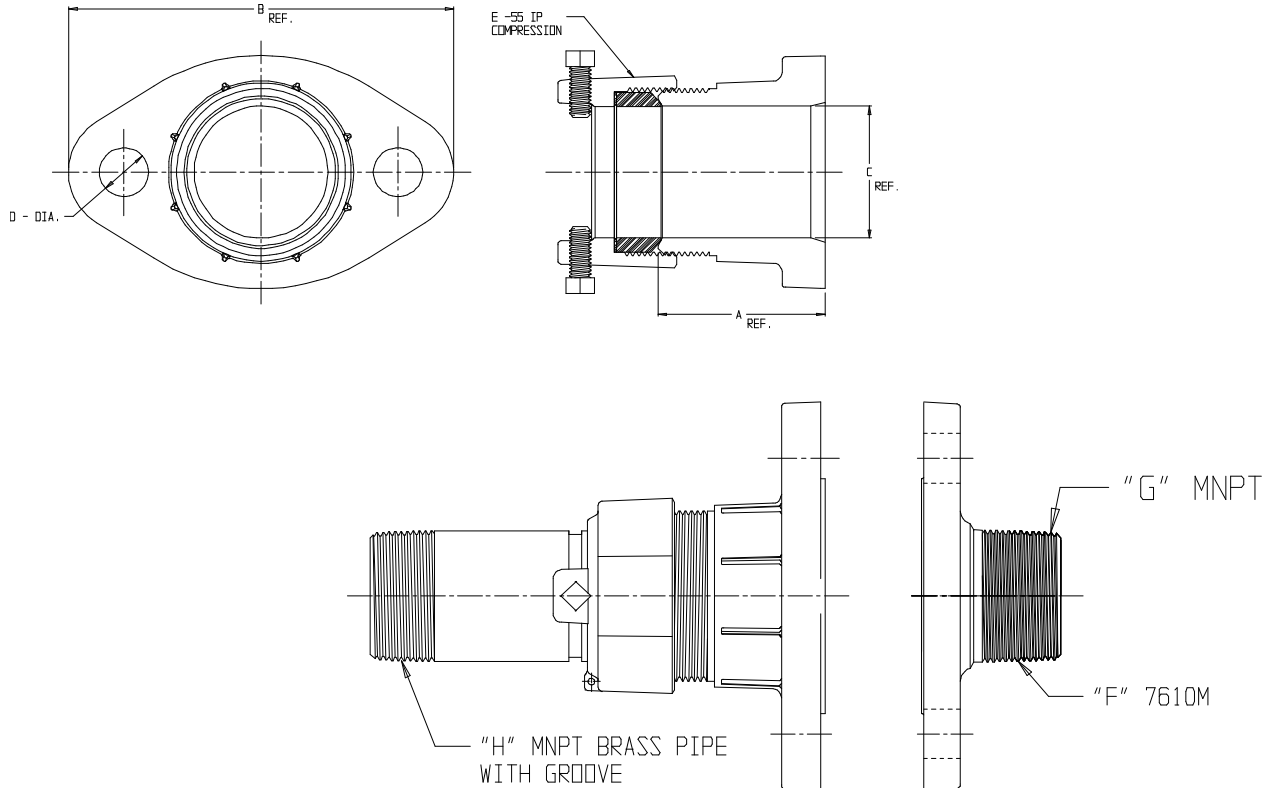


SUBMITTAL DATA SHEET

NL Meter Coupling – 7610AKIT-55

MNPT Pipe x MNPT Meter Flange



MODEL	SIZE	A	B	C	D	E	F	G	H
7610AKIT-55	1 1/2	2.44	5.62	1.95	.72	1 1/2	1 1/2	1 1/2	1 1/2
7610AKIT-55	2	2.62	6.00	2.42	.81	2	2	2	2

SUBMITTAL INFORMATION

- Manufactured in compliance with ANSI/AWWA C800 (latest revision)
- Brass components in contact with potable water conform to ASTM B584, UNS C89833 (latest revision) and identified with "NL"
- Certified to NSF/ANSI 61 and NSF/ANSI 372
- Brass components not in contact with potable water conform to ASTM B62 and ASTM B584, UNS C83600 -85-5-5-5 (latest revision)
- Large wrench area provided for proper installation



A.Y. McDonald Mfg. Co.
4800 Chavenelle Rd
Dubuque, IA 52002

Toll Free: 1-800-292-2737
sales@aymcdonald.com
aymcdonald.com

A.Y. McDonald considers the information on this assembly drawing correct when published. Item and option availability, including specifications, are subject to change without notice.

Submitted by: