

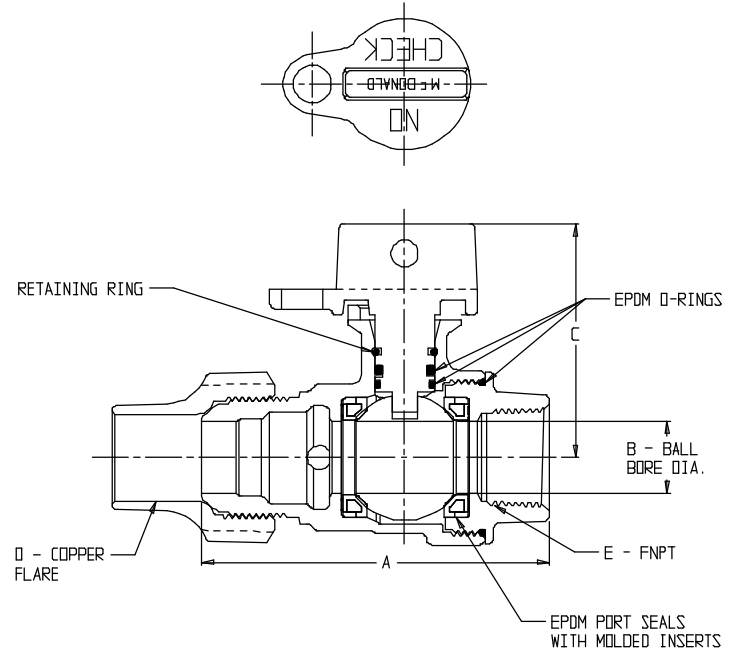
# SUBMITTAL DATA SHEET

## NL Ball Style Curb Stop – 76112W

Copper Flare x FNPT



MODEL	SIZE	A	B	C	D	E
76112W	3/4 X 5/8 X 1/2	3.54	.63	2.31	3/4	1/2
76112W	3/4 X 5/8 X 3/4	3.33	.63	2.31	3/4	3/4
76112W	3/4 X 5/8 X 3/4 X 3.75	3.79	.63	2.31	3/4	3/4
76112W	3/4 X 5/8 X 3/4 X 4.00	4.00	.63	2.31	3/4	3/4
76112W	3/4 X 5/8 X 3/4 X 4.38	4.38	.63	2.31	3/4	3/4
76112W	3/4 X 5/8 X 3/4 X 4.50	4.44	.63	2.31	3/4	3/4
76112W	3/4	3.63	.75	2.41	3/4	3/4
76112W	3/4 X 3.75	3.75	.75	2.41	3/4	3/4
76112W	3/4 X 4.12	4.12	.75	2.41	3/4	3/4
76112W	3/4 X 3/4 X 1	3.77	.75	2.41	3/4	1
76112W	1 X 3/4 X 3/4	3.68	.75	2.41	1	3/4
76112W	1 X 3/4 X 1	3.88	.75	2.41	1	1
76112W	1 X 3/4 X 1 X 4.50	4.50	.75	2.41	1	1
76112W	1	4.04	1.00	2.64	1	1
76112W	1 X 5.00	5.02	1.00	2.64	1	1
76112W	1 X 5.25	5.25	1.00	2.64	1	1
76112W	1 1/4 X 1 X 1	4.61	1.00	2.64	1 1/4	1
76112W	1 1/4 X 1 X 1 1/4	5.90	1.00	2.64	1 1/4	1 1/4
76112W	1 1/4	4.94	1.25	2.94	1 1/4	1 1/4
76112W	1 1/2	5.85	1.50	3.40	1 1/2	1 1/2
76112W	2	6.80	2.00	3.70	2	2



DRAWING MAY NOT RESEMBLE ACTUAL VALVE CONFIGURATION

### SUBMITTAL INFORMATION

- Manufactured in compliance with ANSI/AWWA C800 (latest revision)
- Brass components in contact with potable water conform to ASTM B584, UNS C89833 (latest revision) and identified with "NL"
- Certified to NSF/ANSI 61 and NSF/ANSI 372
- Brass components not in contact with potable water conform to ASTM B62 and ASTM B584, UNS C83600 -85-5-5-5 (latest revision)
- PTFE coated brass ball
- Valve rated for 300 PSIG water pressure, end connections not to exceed rated pipe pressures.
- Blow out proof EPDM port seals
- End piece joint sealed with an EPDM o-ring and thread locker



**A.Y. McDonald Mfg. Co.**  
4800 Chavenelle Rd  
Dubuque, IA 52002

**Toll Free: 1-800-292-2737**  
sales@aymcdonald.com  
[aymcdonald.com](http://aymcdonald.com)

A.Y. McDonald considers the information on this assembly drawing correct when published. Item and option availability, including specifications, are subject to change without notice.

**Submitted by:**