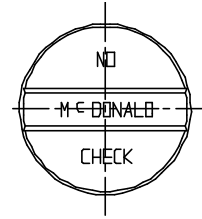


SUBMITTAL DATA SHEET

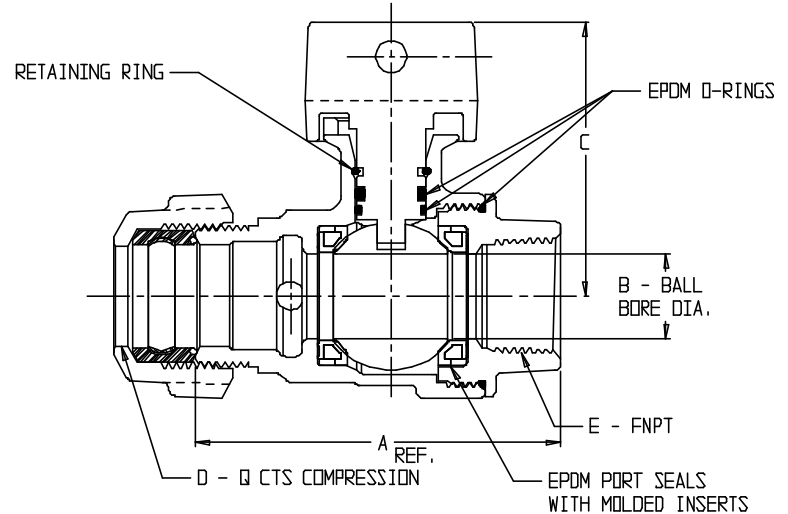
NL Ball Style Curb Stop – 76112Q

Q CTS Compression x FNPT



DRAWING MAY NOT RESEMBLE ACTUAL VALVE CONFIGURATION

| MODEL | SIZE | A | B | C | D | E |
|--------|-------------------|------|------|------|-------|-------|
| 76112Q | 3/4 X 5/8 X 3/4 | 2.95 | .63 | 2.31 | 3/4 | 3/4 |
| 76112Q | 1 X 5/8 X 3/4 | 3.88 | .63 | 2.31 | 1 | 3/4 |
| 76112Q | 3/4 | 3.24 | .75 | 2.42 | 3/4 | 3/4 |
| 76112Q | 1 X 3/4 X 3/4 | 3.22 | .75 | 2.42 | 1 | 3/4 |
| 76112Q | 1 X 3/4 X 1 | 3.42 | .75 | 2.42 | 1 | 1 |
| 76112Q | 1 | 3.76 | 1.00 | 2.65 | 1 | 1 |
| 76112Q | 1 1/4 X 1 X 1 | 4.06 | 1.00 | 2.65 | 1 1/4 | 1 |
| 76112Q | 1 1/4 X 1 X 1 1/4 | 4.20 | 1.00 | 2.65 | 1 1/4 | 1 1/4 |
| 76112Q | 1 1/4 | 4.40 | 1.25 | 2.94 | 1 1/4 | 1 1/4 |
| 76112Q | 1 1/2 | 4.87 | 1.50 | 3.39 | 2 | 2 |
| 76112Q | 2 | 5.79 | 2.00 | 3.70 | 2 | 2 |



SUBMITTAL INFORMATION

- Manufactured in compliance with ANSI/AWWA C800 (latest revision)
- Brass components in contact with potable water conform to ASTM B584, UNS C89833 (latest revision) and identified with "NL"
- Certified to NSF/ANSI 61 and NSF/ANSI 372
- Brass components not in contact with potable water conform to ASTM B62 and ASTM B584, UNS C83600 -85-5-5-5 (latest revision)
- PTFE coated brass ball
- Valve rated for 300 PSIG water pressure, end connections not to exceed rated pipe pressures.
- Blow out proof EPDM port seals
- End piece joint sealed with an EPDM o-ring and thread locker
- Insert stiffeners required on all flexible plastic connections



A.Y. McDonald Mfg. Co.
4800 Chavenelle Rd
Dubuque, IA 52002

Toll Free: 1-800-292-2737
sales@aymcdonald.com
aymcdonald.com

A.Y. McDonald considers the information on this assembly drawing correct when published. Item and option availability, including specifications, are subject to change without notice.

Submitted by:

04-20