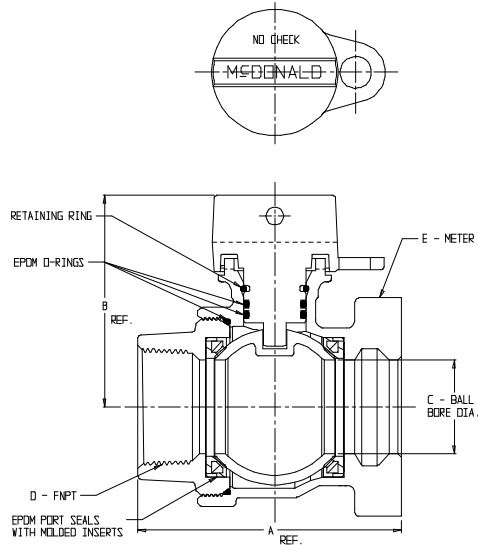


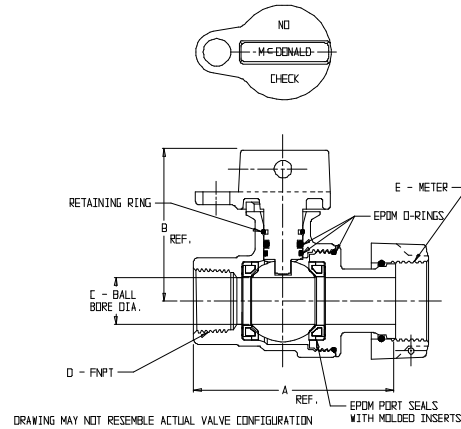
SUBMITTAL DATA SHEET

NL Ball Style Meter Stop – 76111MW

FNPT x Meter



MODEL	SIZE	A	B	C	D	E
76111MW	1 1/2	4.22	3.40	1.50	1 1/2	1 1/2
76111MW	2	5.36	3.71	2.00	2	1 1/2 OR 2



DRAWING MAY NOT RESEMBLE ACTUAL VALVE CONFIGURATION

MODEL	SIZE	A	B	C	D	E
76111MW	1/2 X 5/8 X 5/8	3.10	2.31	.63	1/2	5/8
76111MW	3/4 X 5/8 X 5/8	3.14	2.31	.63	3/4	5/8
76111MW	3/4 X 3/4 X 5/8	3.36	2.42	.75	3/4	5/8
76111MW	1 X 3/4 X 5/8	3.20	2.42	.75	1	5/8
76111MW	3/4 X 5/8 X 3/4 X 3.12	3.12	2.31	.63	3/4	5/8X3/4, 3/4
76111MW	3/4 X 5/8 X 3/4 X 4.00	4.00	2.31	.63	3/4	5/8X3/4, 3/4
76111MW	3/4 X 5/8 X 3/4 X 4.42	4.42	2.31	.63	3/4	5/8X3/4, 3/4
76111MW	3/4 X 5/8 X 3/4	3.16	2.31	.63	3/4	5/8X3/4, 3/4
76111MW	3/4	3.20	2.42	.75	3/4	5/8X3/4, 3/4
76111MW	3/4 x 3.75	3.75	2.42	.75	3/4	5/8X3/4, 3/4
76111MW	3/4 x 4.00	4.00	2.42	.75	3/4	5/8X3/4, 3/4
76111MW	1 X 3/4 X 3/4	3.45	2.42	.75	1	5/8X3/4, 3/4
76111MW	1 X 3/4 X 1	3.55	2.42	.75	1	1
76111MW	1	4.18	2.65	1.00	1	1
76111MW	1 1/4 X 1 X 1	4.88	2.65	1.00	1 1/4	1

SUBMITTAL INFORMATION

- Manufactured in compliance with ANSI/AWWA C800 (latest revision)
- Brass components in contact with potable water conform to ASTM B584, UNS C89833 (latest revision) and identified with “NL”
- Certified to NSF/ANSI 61 and NSF/ANSI 372
- Brass components not in contact with potable water conform to ASTM B62 and ASTM B584, UNS C83600 -85-5-5-5 (latest revision)
- PTFE coated brass ball
- Valve rated for 300 PSIG water pressure, end connections not to exceed rated pipe pressures.
- Blow out proof EPDM port seals
- End piece joint sealed with an EPDM o-ring and thread locker



A.Y. McDonald Mfg. Co.
4800 Chavenelle Rd
Dubuque, IA 52002

Toll Free: 1-800-292-2737
sales@aymcdonald.com
aymcdonald.com

A.Y. McDonald considers the information on this assembly drawing correct when published. Item and option availability, including specifications, are subject to change without notice.

Submitted by: