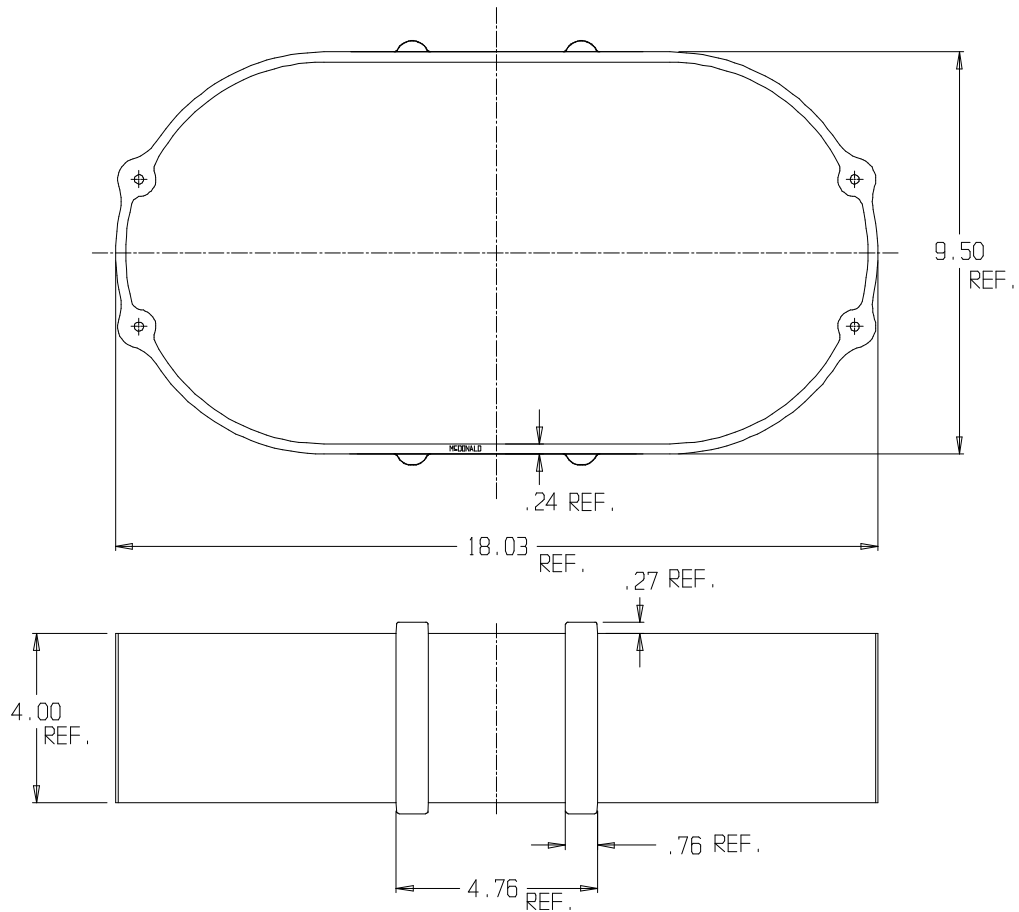


SUBMITTAL DATA SHEET

Yoke & Long Box Component - 76PEX04

Plastic Riser



SUBMITTAL INFORMATION

- High-density polyethylene with ultraviolet protection



A.Y. McDonald Mfg. Co.
4800 Chavenelle Rd
Dubuque, IA 52002

Toll Free: 1-800-292-2737
sales@aymcdonald.com
aymcdonald.com

A.Y. McDonald considers the information on this assembly drawing correct when published. Item and option availability, including specifications, are subject to change without notice.

Submitted by: