

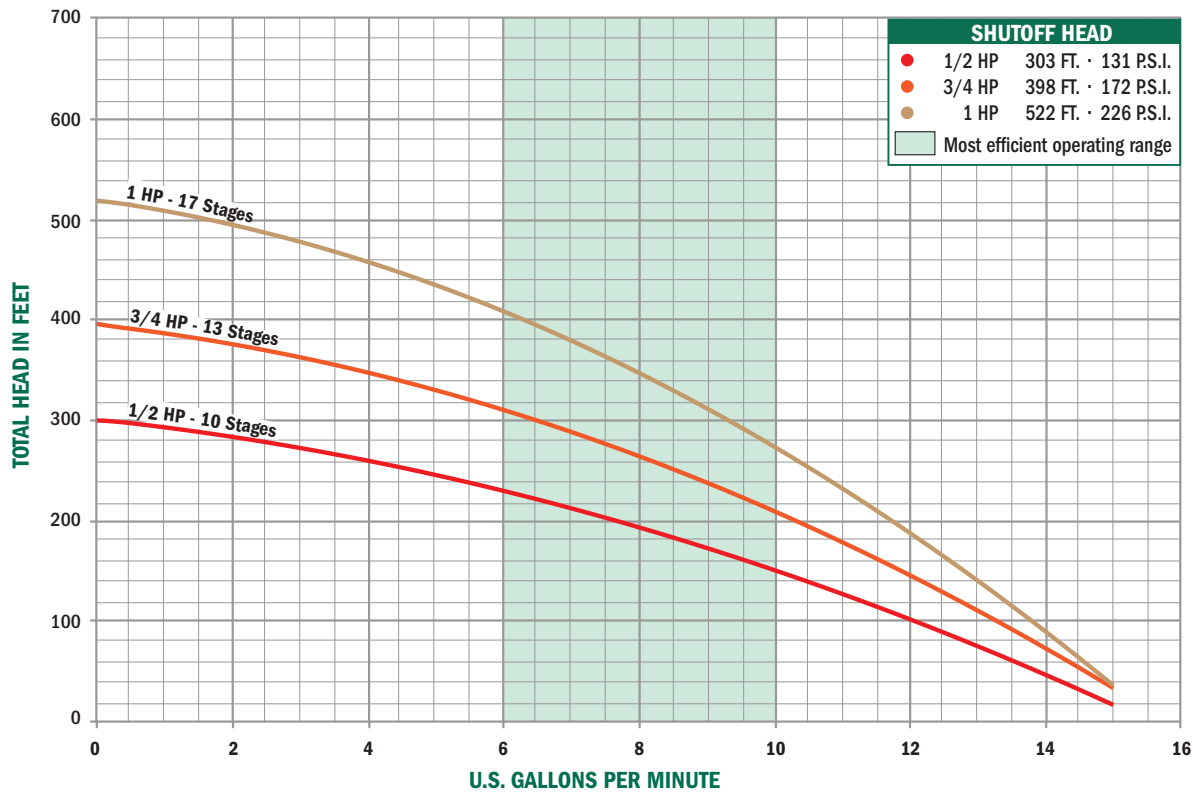
SUBMITTAL DATA SHEET

25000 Series Thermoplastic
4" No-Lead Stainless Steel Submersible Pumps

V - 7 GPM



All Thermoplastic Submersible Pumps are designed to pump within the 7 gallons per minute (GPM) range. Sizes are available from 1/2 to 1 HP. All models are standard with 1 1/4" NPT discharge.



NO-LEAD: The weighted average of the wetted surface of this no-lead product contacted by consumable water contains less than one quarter of one percent (0.25%) lead.



A.Y. McDonald Mfg. Co.
4800 Chavenelle Rd
Dubuque, IA 52002

Toll Free: 1-800-292-2737
sales@aymcdonald.com
aymcdonald.com

A.Y. McDonald considers the information on this assembly drawing correct when published. Item and option availability, including specifications, are subject to change without notice.

Submitted by:

SUBMITTAL DATA SHEET

25000 Series Thermoplastic 4" No-Lead Stainless Steel Submersible Pumps V - 7 GPM



Two Wire Single Phase

Part No.	Model No.	HP	Stages	Volt	A	B	Wt.
6630-868	25050V2A	1/2	10	115V	15.8"	13.4"	30
6630-440	25050V2	1/2	10	230V	15.8"	13.0"	30
6630-439	25075V2	3/4	13	230V	18.0"	13.8"	32
6630-438	25100V2	1	17	230V	20.8"	16.8"	40

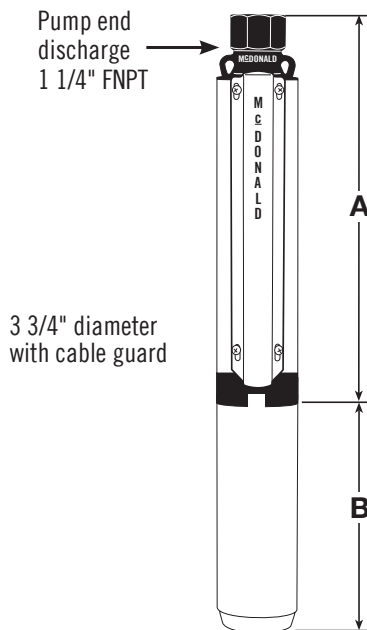
Three Wire** Single Phase

Part No.	Model No.	HP	Stages	Volt	A	B	Wt.
6630-873	25050V3A	1/2	10	115V	15.8"	9.5"	29
6630-461	25050V3	1/2	10	230V	15.8"	10.5"	29
6630-460	25075V3	3/4	13	230V	18.0"	11.3"	32
6630-459	25100V3	1	17	230V	20.8"	13.6"	37

4" Thermoplastic Pump Ends

Part No.	Model No.	HP	Wt.
6630-417	25050V	1/2	7
6630-416	25075V	3/4	8
6630-415	25100V	1	10

** All three wire pumps are available in three phase by selecting pump end and appropriate motor and starter kit.



Output - in Gallons Per Minute (Depth to Water)

1/2 HP	PSI	25'	50'	75'	100'	125'	150'	175'	200'	225'	250'	275'
	0	14.8	14.0	13.1	12.2	11.2	10.1	9.0	7.8	6.4	4.9	3.0
	30	12.4	11.4	10.4	9.3	8.1	6.7	5.2	3.5	1.1		
	50	10.5	9.5	8.3	7.0	5.5	3.8	1.5				
	60	9.5	8.4	7.1	5.6	3.9	1.7					

3/4 HP	PSI	25'	50'	75'	100'	125'	150'	175'	200'	225'	250'	275'	300'	325'	350'	375'
	0	15.3	14.6	14.0	13.4	12.7	11.9	11.2	10.4	9.5	8.6	7.7	6.6	5.4	4.0	2.3
	30	13.5	12.8	12.1	11.4	10.6	9.7	8.9	7.9	6.8	5.7	4.3	2.7			
	50	12.2	11.5	10.7	9.9	9.0	8.0	7.0	5.9	4.6	3.0					
	60	11.5	10.8	9.9	9.1	8.1	7.1	6.0	4.7	3.1	1.0					

1 HP	PSI	25'	50'	75'	100'	125'	150'	175'	200'	225'	250'	275'	300'	325'	350'	375'	400'	425'	450'	475'	500'
	0	15.2	14.8	14.3	13.8	13.4	12.8	12.3	11.8	11.2	10.6	10.0	9.4	8.7	8.0	7.2	6.4	5.5	4.5	3.3	1.8
	30	14.0	13.5	13.0	12.4	11.9	11.4	10.8	10.2	9.5	8.9	8.2	7.4	6.6	5.7	4.7	3.6	2.2			
	50	13.0	12.5	12.0	11.4	10.9	10.3	9.6	9.0	8.3	7.5	6.7	5.8	4.9	3.7	2.4					
	60	12.6	12.0	11.5	10.9	10.3	9.7	9.0	8.3	7.6	6.8	5.9	4.9	3.8	2.5						

FRICITION LOSSES IN RISER PIPE HAVE NOT BEEN CALCULATED

NO-LEAD: The weighted average of the wetted surface of this no-lead product contacted by consumable water contains less than one quarter of one percent (0.25%) lead.



A.Y. McDonald Mfg. Co.
4800 Chavenelle Rd
Dubuque, IA 52002

Toll Free: 1-800-292-2737
sales@aymcdonald.com
aymcdonald.com

A.Y. McDonald considers the information on this assembly drawing correct when published. Item and option availability, including specifications, are subject to change without notice.

Submitted by: