

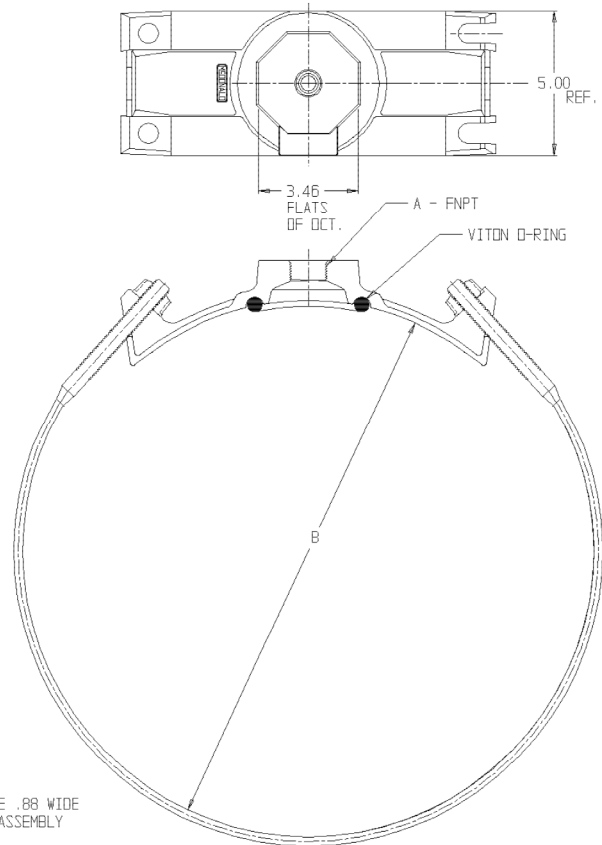
# SUBMITTAL DATA SHEET

## Silicon Bronze Strap Saddle – 3826AV

Ductile Iron/Cement-Asbestos/Cast Iron x FNPT



MODEL	SIZE	A	B
3826AV	14 X 3/4	3/4	15.30-16.25
3826AV	14 X 1	1	15.30-16.25
3826AV	14 X 1 1/2	1 1/2	15.30-16.25
3826AV	14 X 2	2	15.30-16.25
3826AV	16 X 3/4	3/4	17.40-18.40
3826AV	16 X 1	1	17.40-18.40
3826AV	16 X 1 1/2	1 1/2	17.40-18.40
3826AV	16 X 2	2	17.40-18.40
3826AV	20 X 3/4	3/4	21.20-22.20
3826AV	20 X 1	1	21.20-22.20
3826AV	20 X 1 1/2	1 1/2	21.20-22.20
3826AV	20 X 2	2	21.20-22.20
3826AV	24 X 3/4	3/4	23.80-24.80
3826AV	24 X 1	1	23.80-24.80
3826AV	24 X 1 1/2	1 1/2	23.80-24.80
3826AV	24 X 2	2	23.80-24.80



### SUBMITTAL INFORMATION

- Manufactured in compliance with ANSI/AWWA C800 (latest revision)
- Brass components conform to ASTM B62 and ASTM B584, UNS C83600 -85-5-5-5 (latest revision)
- Certified to NSF/ANSI 61
- Silicon Bronze strap(s) and cast brass nuts with enlarged washer bearing surface
- Viton o-ring
- Pipe and tap size, and thread type identified on saddle
- Outlet boss with large wrench flats



**A.Y. McDonald Mfg. CO.**  
4800 Chavenelle Rd  
Dubuque, IA 52002

**Toll Free: 1-800-292-2737**  
sales@aymcdonald.com  
[aymcdonald.com](http://aymcdonald.com)

A.Y. McDonald considers the information on this assembly drawing correct when published. Item and option availability, including specifications, are subject to change without notice.

**Submitted by:**