

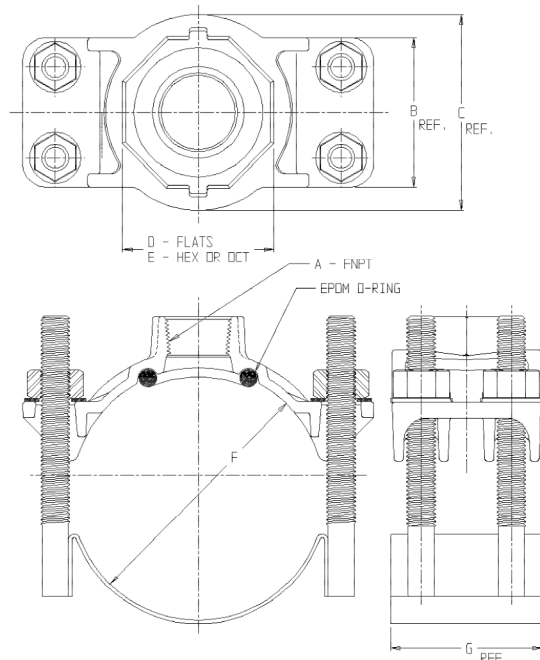
SUBMITTAL DATA SHEET

SS Strap Saddle – 3846-316

C900 PVC x FNPT



MODEL	SIZE	A	B	C	D	E	F	G	PVC TYPE
3846-316	4 X 3/4	3/4	3.19	3.19	1.69	HEX	4.80	3.00	C900
3846-316	4 X 1	1	3.19	3.19	1.69	HEX	4.80	3.00	C900
3846-316	4 X 1 1/2	1 1/2	3.19	4.19	3.10	OCT	4.80	3.00	C900
3846-316	4 X 2	2	3.19	4.19	3.10	OCT	4.80	3.00	C900
3846-316	6 X 3/4	3/4	3.19	3.19	1.69	HEX	6.90	3.00	C900
3846-316	6 X 1	1	3.19	3.19	1.69	HEX	6.90	3.00	C900
3846-316	6 X 1 1/2	1 1/2	3.19	4.19	3.10	OCT	6.90	3.00	C900
3846-316	6 X 2	2	3.19	4.19	3.10	OCT	6.90	3.00	C900
3846-316	8 X 3/4	3/4	3.19	3.19	1.69	HEX	9.05	3.00	C900
3846-316	8 X 1	1	3.19	3.19	1.69	HEX	9.05	3.00	C900
3846-316	8 X 1 1/2	1 1/2	3.19	4.19	3.10	OCT	9.05	3.00	C900
3846-316	8 X 2	2	3.19	4.19	3.10	OCT	9.05	3.00	C900
3846-316	10 X 3/4	3/4	3.19	3.19	1.69	HEX	11.10	3.00	C900
3846-316	10 X 1	1	3.19	3.19	1.69	HEX	11.10	3.00	C900
3846-316	10 X 1 1/2	1 1/2	3.19	4.19	3.10	OCT	11.10	3.00	C900
3846-316	10 X 2	2	3.19	4.19	3.10	OCT	11.10	3.00	C900
3846-316	12 X 3/4	3/4	3.19	3.19	1.69	HEX	13.20	3.00	C900
3846-316	12 X 1	1	3.19	3.19	1.69	HEX	13.20	3.00	C900
3846-316	12 X 1 1/2	1 1/2	3.19	4.19	3.10	OCT	13.20	3.00	C900
3846-316	12 X 2	2	3.19	4.19	3.10	OCT	13.20	3.00	C900



** ALL STAINLESS STEEL STRAP, ONE STRAP (WITH 4 STUDS WELDED ON) PER ASSEMBLY.

DRAWING MAY NOT RESEMBLE ACTUAL SADDLE CONFIGURATION

SUBMITTAL INFORMATION

- Manufactured in compliance with ANSI/AWWA C800 (latest revision)
- Brass components conform to ASTM B62 and ASTM B584, UNS C83600 -85-5-5-5 (latest revision) and are considered to be a DZR (Dezincification-Resistant) brass
- Certified to NSF/ANSI 61
- 316 Stainless Steel strap(s) and studs. Stainless steel nuts (PTFE coated) and washers
- EPDM o-ring
- Pipe and tap size, and thread type identified on saddle
- Outlet boss with large wrench flats



A.Y. McDonald Mfg. CO.
 4800 Chavenelle Rd
 Dubuque, IA 52002

Toll Free: 1-800-292-2737
sales@aymcdonald.com
aymcdonald.com

A.Y. McDonald considers the information on this assembly drawing correct when published. Item and option availability, including specifications, are subject to change without notice.

Submitted by: