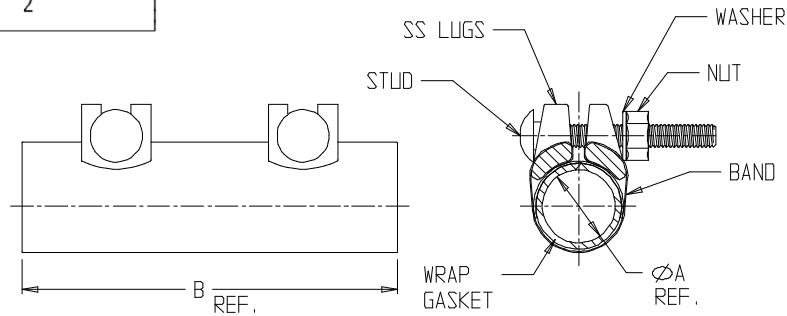
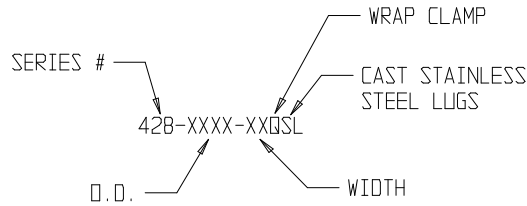


# SUBMITTAL DATA SHEET

## Wrap Clamps – 428QSL



WIDTH	# OF BOLTS
3"	1
6"	2



PIPE SIZE	A - O. D.	MODEL #	B - WIDTHS
1/2" CTS	0.625	42B-0063-XXQSL	3", 6"
1/2" IPS	0.840	42B-0084-XXQSL	3", 6"
3/4" CTS	0.875	42B-0088-XXQSL	3", 6"
3/4" IPS	1.050	42B-0105-XXQSL	3", 6"
1" CTS	1.125	42B-0113-XXQSL	3", 6"
1" IPS	1.315	42B-0132-XXQSL	3", 6"
1 1/4" CTS	1.375	42B-0138-XXQSL	3", 6"
1 1/4" IPS	1.660	42B-0166-XXQSL	3", 6"
1 1/2" CTS	1.625	42B-0163-XXQSL	3", 6"
1 1/2" IPS	1.900	42B-0190-XXQSL	3", 6"
2" CTS	2.125	42B-0213-XXQSL	3", 6"
2" IPS	2.375	42B-0238-XXQSL	3", 6"

### SUBMITTAL INFORMATION

- Band – 18-8 Type 304 Stainless Steel
- Lug – Type 304 Cast Stainless Steel
- Gasket – Nitrile
- Studs – Type 304 Stainless Steel Grade 8
- Nuts – Type 304 Stainless Steel Grade 8
- Washers – Type 304 Stainless Steel



**A.Y. McDonald Mfg. Co.**  
4800 Chavenelle Rd  
Dubuque, IA 52002

**Toll Free: 1-800-292-2737**  
sales@aymcdonald.com  
[aymcdonald.com](http://aymcdonald.com)

A.Y. McDonald considers the information on this assembly drawing correct when published. Item and option availability, including specifications, are subject to change without notice.

**Submitted by:**